

**eloma**

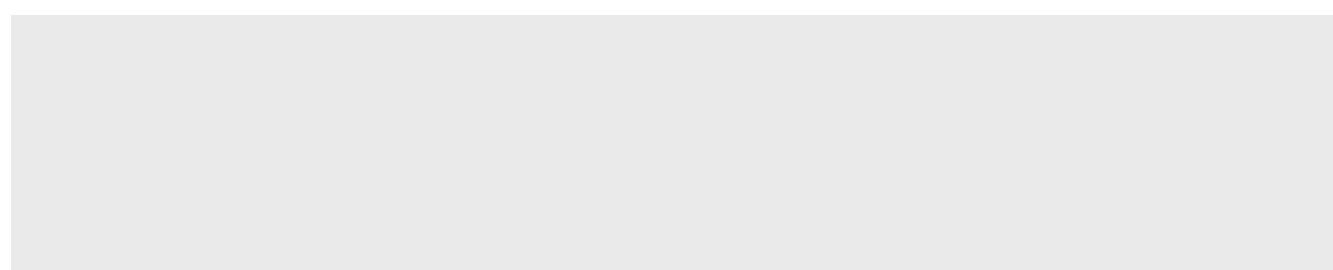
---

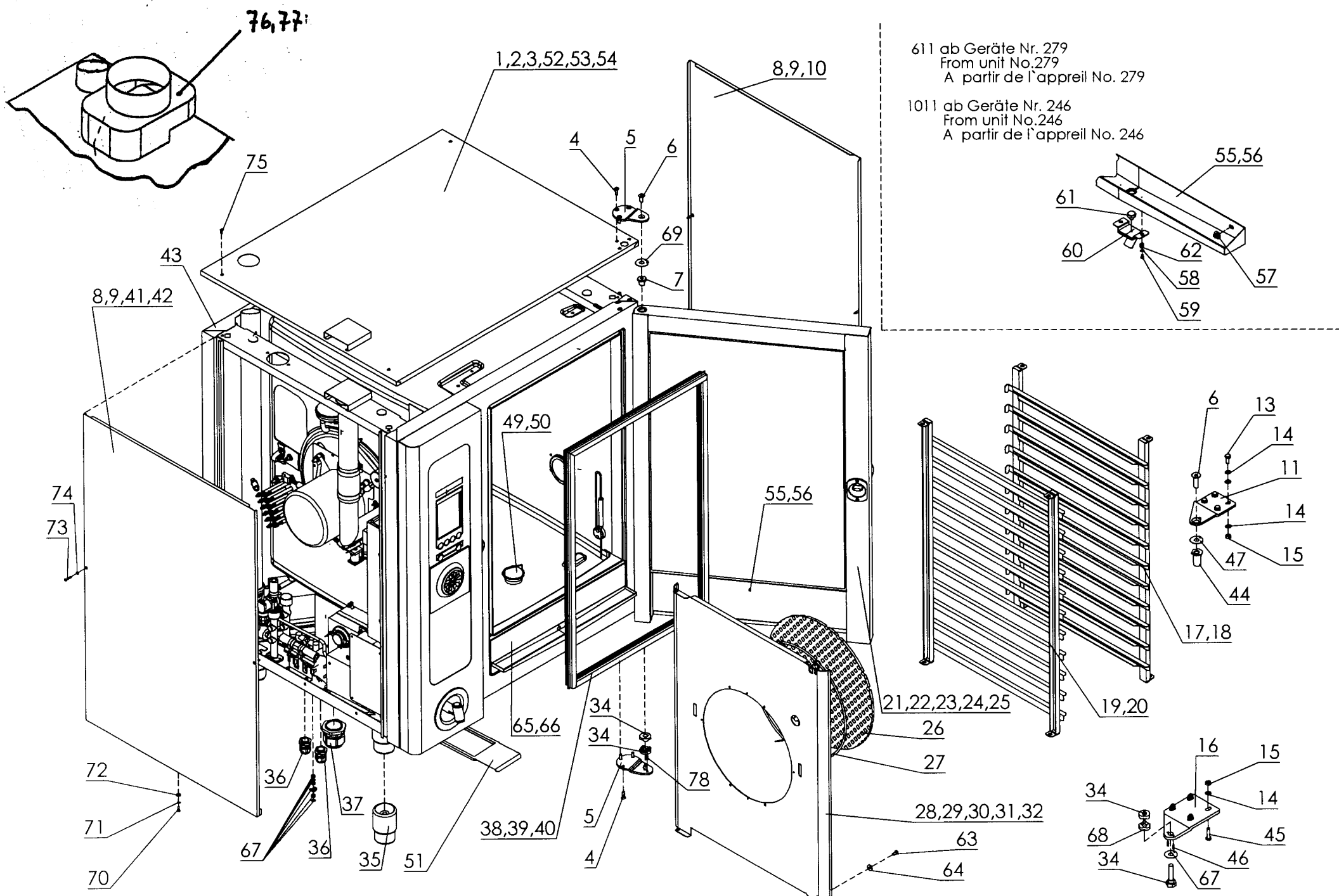
**Sparepart list**

Combi Steamers Multimax A-B

Genius

Genius Gaz





611 ab Geräte Nr. 279  
 From unit No.279  
 A partir de l'appareil No. 279

1011 ab Geräte Nr. 246  
 From unit No.246  
 A partir de l'appareil No. 246

21,22,23,24,25

26

27

28,29,30,31,32

63

64

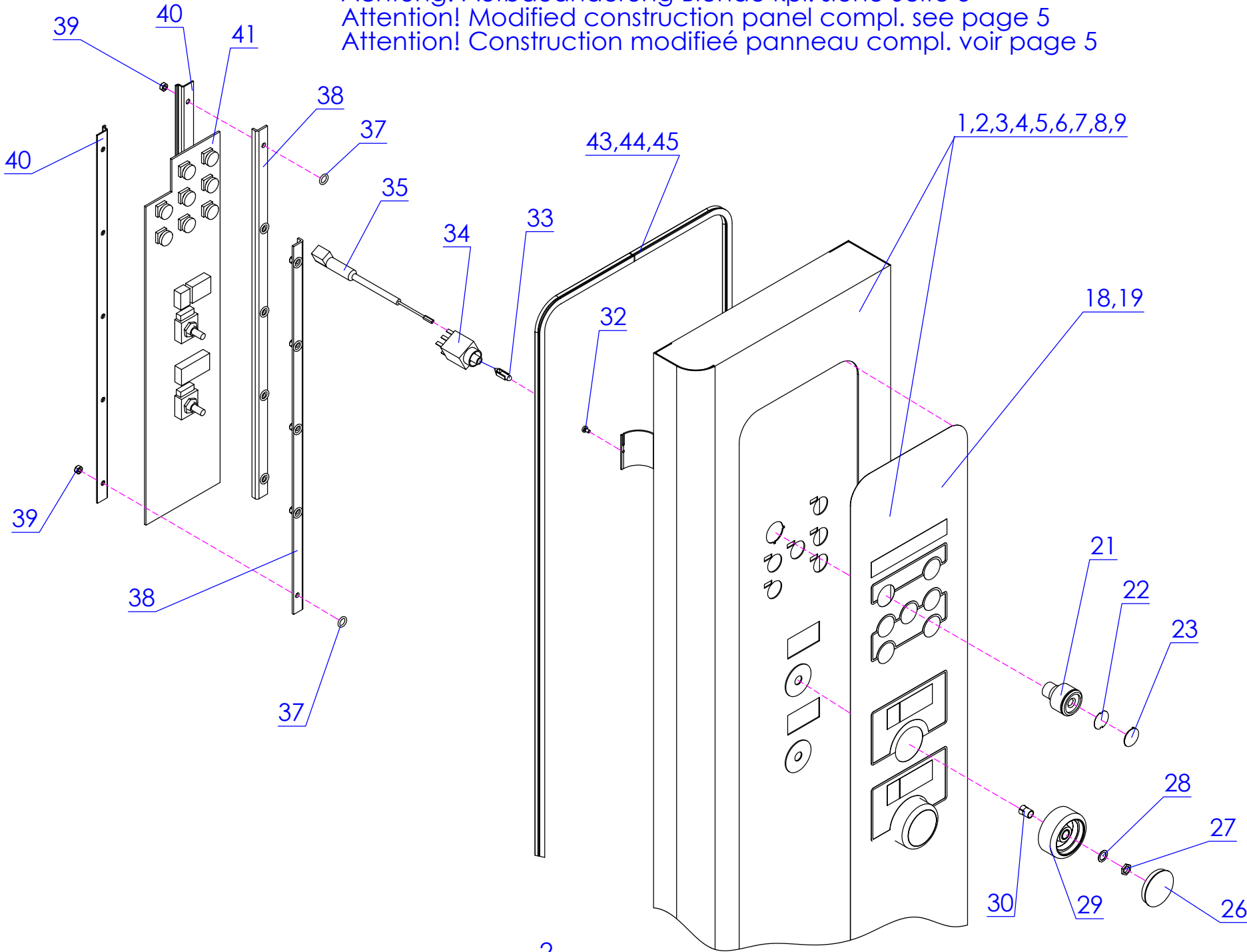
1011 Pos. 26 entfällt ab Geräte Nr. 916  
 Part No. 26 dropped from unit No. 916  
 Pièce No. 26 supprimées à partir de l'appareil No. 916

**MA /MB/Genius /Genius Gaz/ 6-11 10-11 20-11**

Pos.	Article no.	Description	Genius Gaz	Multimax A	Multimax B	Genius	Autoclean	6-11	10-11	20-11
1	741604	Case lid 6/10-11 hinged right d2k		●	●	●	●	●	●	
2	740942	Case lid 6/10-11 hinged left d2k		●	●	●	●	●	●	
3	741825	Case lid 20-11 d2k		●	●	●	●			●
4	741175	Countersunk screw M6x20 DIN 7991	●	●	●	●	●	●	●	
5	768413	Hing but compl. d2k 610-11	●	●	●	●	●	●	●	
6	e503081	Countersunk screw DIN7991 M8 x 20, V2	●	●	●	●	●	●	●	
7	741434	Cam, door hinge topside 6/10-11 d2k	●	●	●	●	●	●	●	
8	741159	Side panel 6-11 d2k	●	●	●	●	●	●		
9	741655	Side panel 10-11 d2k	●	●	●	●	●		●	
10	741043	Side panel 20-11 d2k	●	●	●	●	●			●
11	745936	Upper hinge butt 2011/1221/	●	●	●	●	●			●
13	e500046	Hexagon cap screw ISO4017 M8 x 20 V2	●	●	●	●	●			●
14	e510016	Toothed disk DIN 6797 J 8,4 V2A	●	●	●	●	●			●
15	e505033	Hexagonal nut ISO 4032 M8 V2A DI	●	●	●	●	●			●
16	772437	Lower hinge butt 20-11,12/20	●	●	●	●	●			●
17	740292	Hang-in rack 6-11 d2k right GN	●	●	●	●	●	●		
18	740357	Hang-in rack 1011 d2k right GN	●	●	●	●	●		●	
19	740306	Hang-in rack 6-11 d2k left GN	●	●	●	●	●	●		
20	740365	Hang-in rack 1011 d2k left GN	●	●	●	●	●		●	
21	752002	Door 611 hinged right d2k	●	●	●	●	●	●		
22	752010	Door 611 hinged left d2k	●	●	●	●	●	●		
23	752169	Door 1011 hinged right d2k	●	●	●	●	●		●	
24	752371	Door 1011 hinged left d2k	●	●	●	●	●		●	
25	755567	Door 2011 hinged right d2k	●	●	●	●	●			●
26	760749	Fat filter 6/11 - 20/11 d2k	●	●	●	●	●	●	●	●
27	e418021	Protective grid, MD/MMD 20-21 D 35	●	●	●	●	●	●	●	●
28	743291	Air conducting sheet cpl. right 6-11 d	●	●	●	●	●	●		
29	740438	Air conducting sheet left compl. 6-11	●	●	●	●	●	●		
30	743305	Air conducting sheet comp right 10-11	●	●	●	●	●		●	
31	740837	Air conducting sheet left compl. 10-11	●	●	●	●	●		●	
32	746029	Air conducting sheet 2011 d2k	●	●	●	●	●			●
34	e401033	Cam disk, door bearing 20-11 / 20-11	●	●	●	●	●	●	●	●
35	744824	Foot d2k 6/10-11	●	●	●	●	●	●	●	
36	e306005	Screwing PG 16, plastic	●	●	●	●	●	●	●	●
37	e306007	Screwing PG 36, grey with counte	●	●	●	●	●	●	●	●
38	742368	Door sealing silicon frame 6-11	●	●	●	●	●	●		
39	742376	Door sealing, silicon frame 10-11	●	●	●	●	●		●	
40	742384	Door sealing, silicon frame 20-11	●	●	●	●	●			●

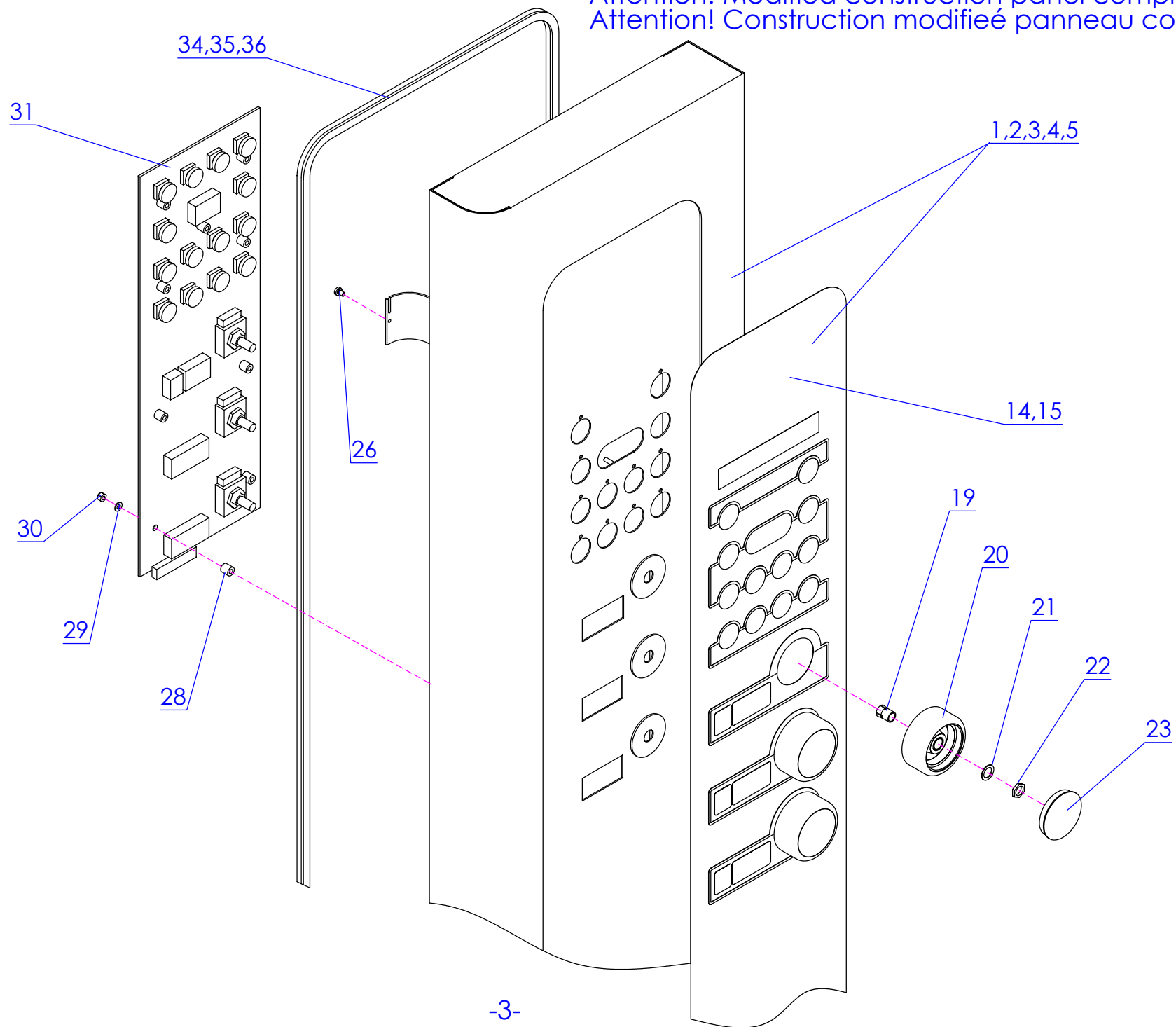
Pos.	Article no.	Description	Genius Gaz	Multimax A	Multimax B	Genius	Autoclean	6-11	10-11	20-11
41	e475112	Motor compartment 12-21	●	●	●	●	●			●
42	741093	Side panel left 20-11 d2k	●	●	●	●	●			●
43	745049	Back wall 20-11 d2k	●	●	●	●	●			●
44	e412131	Eccentric bearing EB	●	●	●	●	●	●	●	
45	e500278	Hexagon cap screw M8x30 ISO 4017	●	●	●	●	●			●
46	e512066	Cylindrical pin DIN 7 4x6x12 Niro	●	●	●	●	●			●
47	e512039	Retaining plate - door bearing ED	●	●	●	●	●			●
49	e418054	Drain sieve ED 6/10-11	●	●	●	●	●	●	●	
50	e418053	Drain sieve ED 20-11/ 20-21/12-2	●	●	●	●	●			●
51	751782	Filter air shaft d2k	●	●	●	●	●	●	●	●
52	760455	Cover 61011 gas d2k hinged righ	●				●	●	●	
53	760447	Cover 61011 gas hinged left d2k	●				●	●	●	
54	771724	Housing lid 20-11 gas d2k	●				●			●
55	742198	Drip tray 61011 compl. d2k	●	●	●	●	●	●	●	●
56	751995	Drip tray assembled 61011 d2k	●	●	●	●	●	●	●	●
57	e505077	Disk nut M4 A 2	●	●	●	●	●	●	●	●
58	e508005	Washer DIN 125 A 3,2 V2A	●	●	●	●	●	●	●	●
59	e500191	Oval-head screw DIN 7985, I	●	●	●	●	●	●	●	●
60	744670	Plug drip tray 6/10-11 d2k	●	●	●	●	●	●	●	●
61	757926	Silicone gasket drip tray d2k	●	●	●	●	●	●	●	●
62	e416076	Pressure spring drip tray 6/10-11 d2k	●	●	●	●	●	●	●	●
63	e500044	Hexagon cap screw ISO4017 M6 x 12 V2	●	●	●	●	●	●	●	●
64	e508033	Washer DIN 9021 A 6,4 V2A	●	●	●	●	●	●	●	●
65	761087	Front cover compl. banquet sy	●	●	●	●	●	●	●	●
66	745693	Front cover compl. 61011 d2k	●	●	●	●	●	●	●	●
67	e600453	AG potential equalisation d2k	●	●	●	●	●	●	●	●
68	772453	Cam disk, bottom d2k 12/20-2	●	●	●	●	●			●
69	758868	Locking washer	●	●	●	●	●	●	●	●
70	e500196	mushroom head square neck bolt	●	●	●	●	●	●	●	●
71	e510013	Toothed disk DIN 6797 J 4,3 V2A	●	●	●	●	●	●	●	●
72	e508031	Washer DIN 9021 A 4,3 V2A	●	●	●	●	●	●	●	●
73	e500153	Oval flat-head screw M4 x 20 V2	●	●	●	●	●	●	●	●
74	e510012	Fan disk DIN 6798 V 4,3 V2A	●	●	●	●	●	●	●	●
75	e500178	Oval flat-head screw M4 x 12 V2	●	●	●	●	●	●	●	●
76	771538	Flow safeguard 1221 2011 2021 gas d	●							●
77	766682	Flow safeguard gas d2k	●					●	●	
78	757209	Cylindrical pin DIN 7 4m6x8 V2A	●	●	●	●	●	●	●	●

Achtung! Aufbauänderung Blende kpl. siehe Seite 5  
Attention! Modified construction panel compl. see page 5  
Attention! Construction modifiée panneau compl. voir page 5





Achtung! Aufbauänderung Blende kpl. siehe Seite 6  
Attention! Modified construction panel compl. see page 6  
Attention! Construction modifié panneau compl. voir page 6

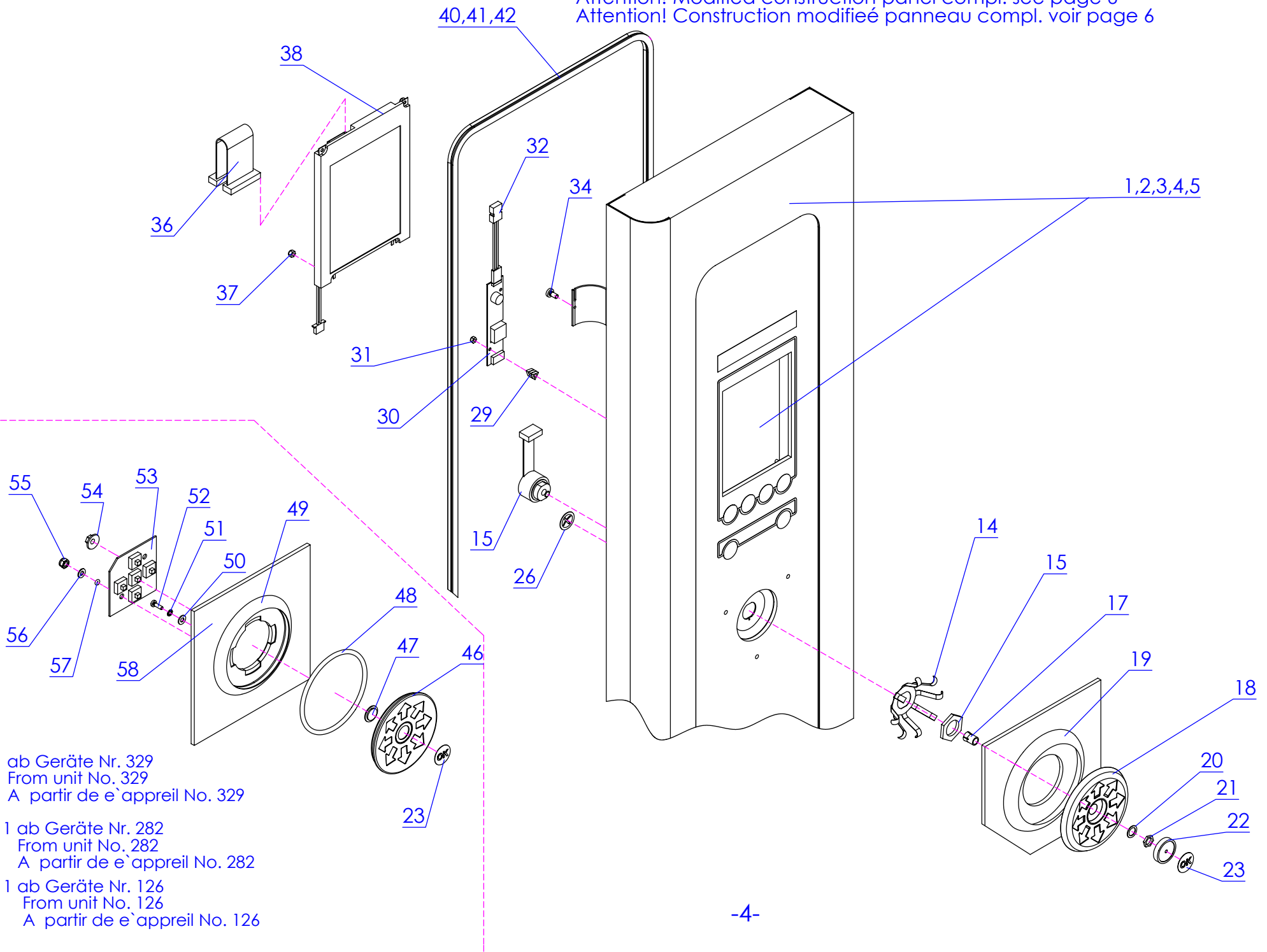


**MA /MB/Genius /Genius Gaz/ 6-11 10-11 20-11**

Pos.	Article no.	Description	Genius Gaz	Multimax A	Multimax B	Genius	Autoclean	6-11	10-11	20-11
1	759449	Panel complete MA 611			●		●	●		
2	759597	Panel compl. MB 611      hinged left			●		●	●		
3	759473	Panel compl. MB 1011			●		●		●	
4	759627	Panel compl. MB 1011      hinged left			●		●		●	
5	759511	Panel compl. MB 2011			●		●			●
14	743747	Adhesive panel MB 6-11/    12-21 458x			●		●	●		
15	743763	Adhesive panel MB 10/2011 20-21-738x			●		●		●	●
19	748978	Collet rotary knob      1/4" (D 6,35)			●		●	●	●	●
20	743690	Rotary knob MA/MB blue    RAL 5003 c			●		●	●	●	●
21	758884	Washer rotary knob			●		●	●	●	●
22	758892	Nut rotary knob			●		●	●	●	●
23	748781	Cap small silver d2k      D 37 mm			●		●	●	●	●
26	e500191	Oval-head screw            DIN 7985, P			●		●	●	●	●
28	e412167	Spacer 7 mm			●		●	●	●	●
29	e508019	Nylon washer D7 d3 h 0,5			●		●	●	●	●
30	e505125	Self-locking nut M3      Din 985 V2			●		●	●	●	●
31	742465	Ensemble of indicators MB d2k			●		●	●	●	●
34	742295	Sealing frame 6-11      control unit			●		●	●		
35	742309	Sealing frame 10-11      control unit			●		●		●	
36	742317	Sealing frame 20-11      control unit			●		●			●

Pos.	Article no.	Description	Genius Gaz	Multimax A	Multimax B	Genius	Autoclean	6-11	10-11	20-11

Achtung! Aufbauänderung Blende kpl. siehe Seite 6  
 Attention! Modified construction panel compl. see page 6  
 Attention! Construction modifiée panneau compl. voir page 6



611 ab Geräte Nr. 329  
 From unit No. 329  
 A partir de e`appareil No. 329

1011 ab Geräte Nr. 282  
 From unit No. 282  
 A partir de e`appareil No. 282

2011 ab Geräte Nr. 126  
 From unit No. 126  
 A partir de e`appareil No. 126

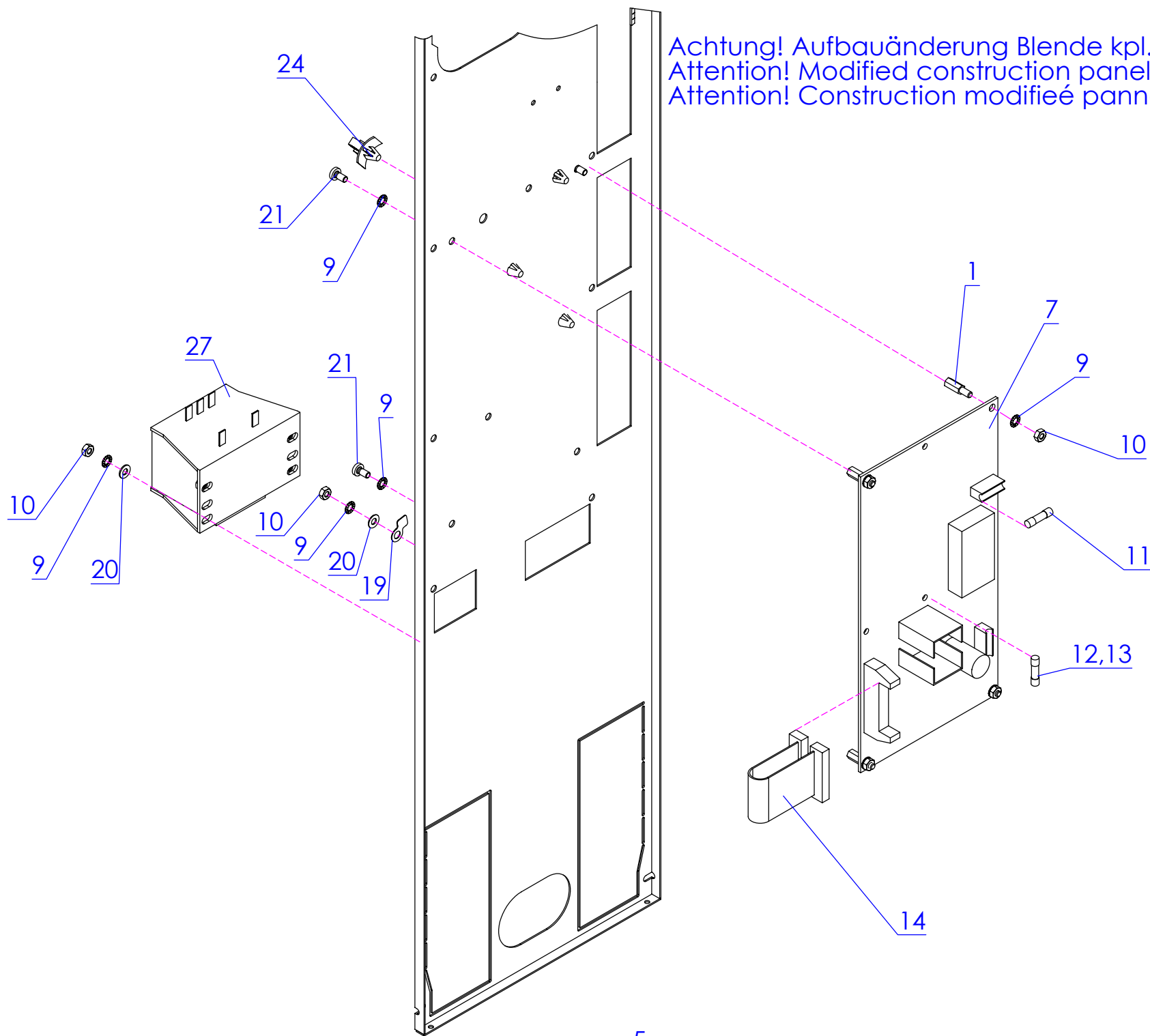


**MA /MB/Genius /Genius Gaz/ 6-11 10-11 20-11**

Pos.	Article no.	Description	Genius Gaz	Multimax A	Multimax B	Genius	Autoclean	6-11	10-11	20-11
1	759457	Panel complete Genius 611	●			●	●	●		
2	759481	Panel compl. Genius 1011	●			●	●		●	
3	759538	Panel compl. Genius 2011	●			●	●			●
4	759600	Panel compl.Genius 611 hinged left	●			●	●	●		
5	759635	Panel compl. Genius 1011 hinged left	●			●	●		●	
14	757632	Spring/operating rocker Genius	●			●	●	●	●	●
15	757608	Operating Rocker Genius	●			●	●	●	●	●
17	e365124	Collet operating rocker	●			●	●	●	●	●
19	757616	Ring/operating rocker Genius	●			●	●	●	●	●
20	758884	Washer rotary knob	●			●	●	●	●	●
21	758892	Nut rotary knob	●			●	●	●	●	●
22	757624	Lid/operating rocker Genius	●			●	●	●	●	●
23	757667	Label "OK" operating rocker Gen	●			●	●	●	●	●
26	e500095	Oval-head screw DIN 7985 M 3x10 V2	●			●	●	●	●	●
29	e414076	Distance bushing triangular	●			●	●	●	●	●
30	749923	Inverter d2k spare part	●			●	●	●	●	●
31	e505127	Self-locking nut M 2,5 DIN 985 V2	●			●	●	●	●	●
32	748323	Lead inverter spare part	●			●	●	●	●	●
34	e500191	Oval-head screw DIN 7985, I	●			●	●	●	●	●
36	749915	Connecting cable d2k display con	●			●	●	●	●	●
37	e505125	Self-locking nut M3 Din 985 V2	●			●	●	●	●	●
38	742457	Display Genius d2k	●			●	●	●	●	●
40	742295	Sealing frame 6-11 control unit	●			●	●	●		
41	742309	Sealing frame 10-11 control unit	●			●	●		●	
42	742317	Sealing frame 20-11 control unit	●			●	●			●
46	768898	Operating rocker Genius test versio	●			●	●	●	●	●
47	768502	Center touch key of operating r	●			●	●	●	●	●
48	768510	Sealing ring op. rocker Genius II -	●			●	●	●	●	●
49	768499	Rocker ring Genius test versio	●			●	●	●	●	●
50	e508005	Washer DIN 125 A 3,2 V2A	●			●	●	●	●	●
51	e510020	Toothed disk DIN 6797 J 3,2 V2A	●			●	●	●	●	●
52	e500279	Oval-head screw DIN 7985 M3 x 8 V2A	●			●	●	●	●	●
53	748277	Switch board operating rocker Gen	●			●	●	●	●	●
54	e512075	Spring nut d=4-7	●			●	●	●	●	●
55	749699	Hexagonal nut DIN 985 M4 self-loc	●			●	●	●	●	●
56	e508037	Washer DIN 433 4,3 V2A	●			●	●	●	●	●
57	e425020	O-ring, 3,68x1,78 VITON	●			●	●	●	●	●
58	760633	Bearing fram operating rocker Gen	●			●	●	●	●	●

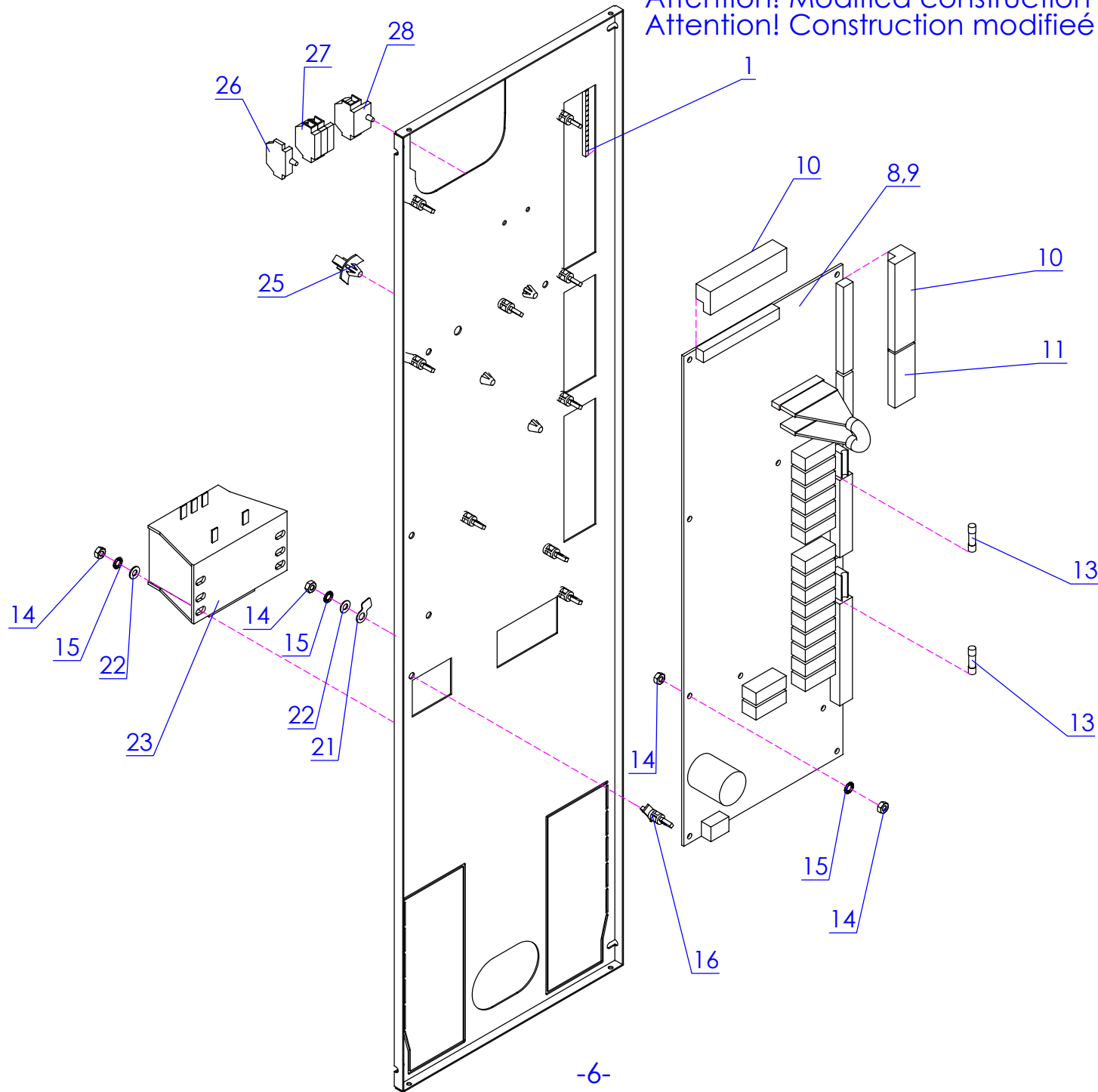
Pos.	Article no.	Description	Genius Gaz	Multimax A	Multimax B	Genius	Autoclean	6-11	10-11	20-11

Achtung! Aufbauänderung Blende kpl. siehe Seite 2  
Attention! Modified construction panel compl. see page 2  
Attention! Construction modifié panneau compl. voir page 2

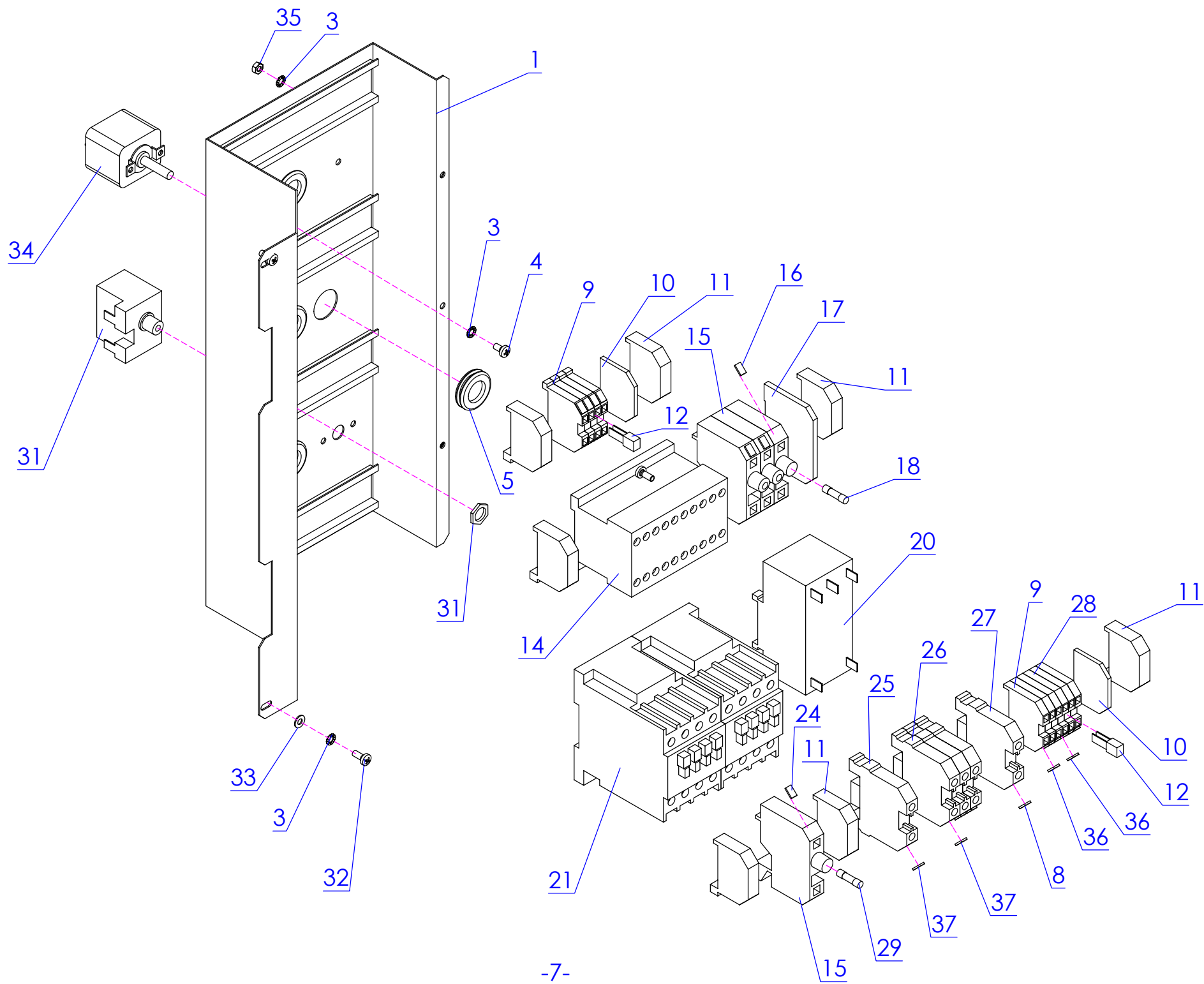




Achtung! Aufbauänderung Blende kpl. siehe Seite 3,4  
Attention! Modified construction panel compl. see page 3,4  
Attention! Construction modifié panneau compl. voir page 3,4



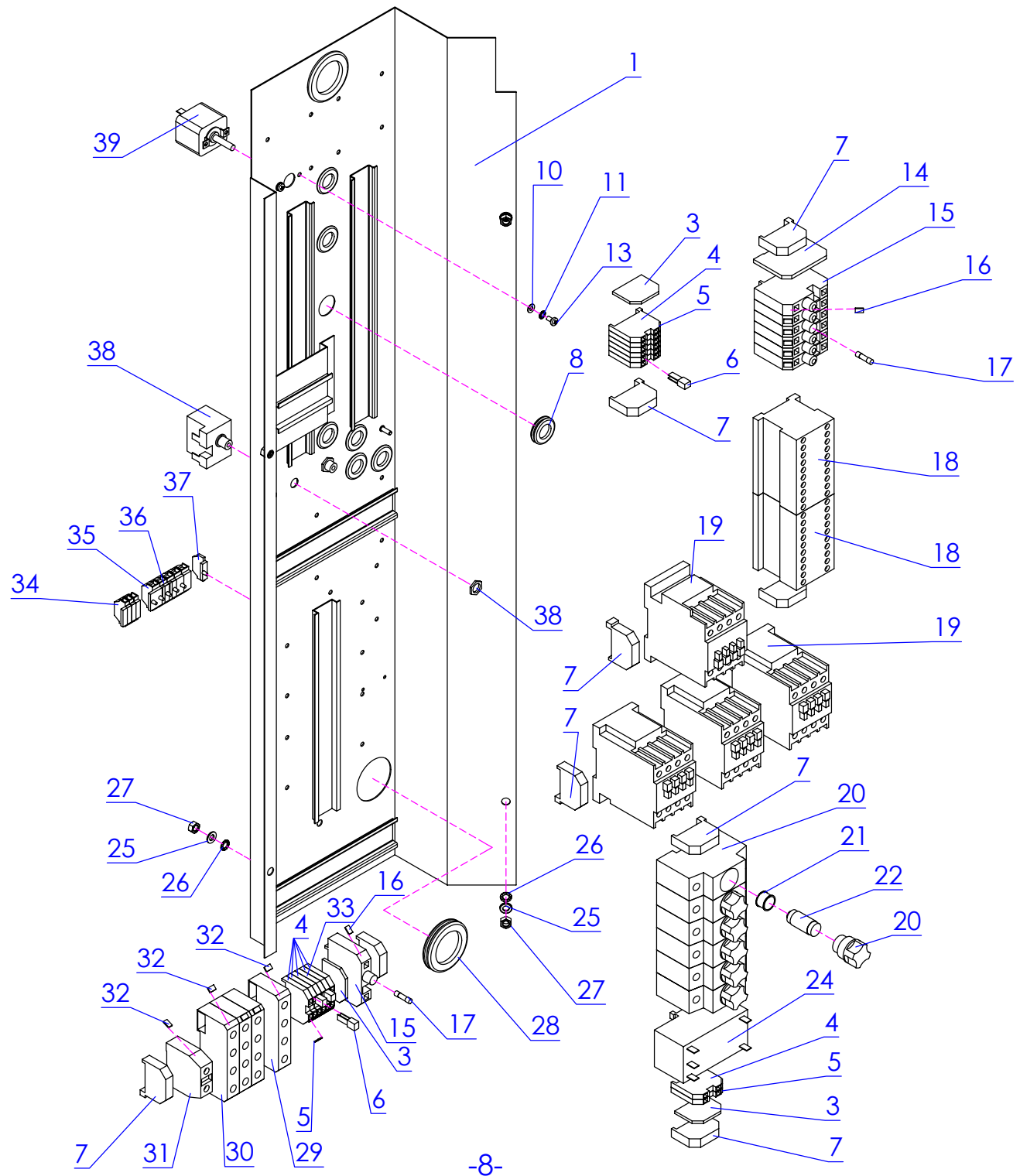




**MA /MB/Genius /Genius Gaz/ 6-11 10-11 20-11**

Pos.	Article no.	Description	Genius Gaz	Multimax A	Multimax B	Genius	Autoclean	6-11	10-11	20-11
1	744514	Electric mounting plate 6/10-11 hin	●				●	●	●	
3	e510013	Toothed disk DIN 6797 J 4,3 V2A	●				●	●	●	
4	e500091	Oval-head screw DIN 7985 M	●				●	●	●	
5	e306019	Rubber socket black PG 16	●				●	●	●	
8	e362045	Designation strip "L1-PE"	●				●	●	●	
9	e371022	Universal clamp grey 4qmm	●				●	●	●	
10	e371025	End plate for universal clamp 4qm	●				●	●	●	
11	e371010	End clamp for rail 35 DIN	●				●	●	●	
12	e371014	Cross bridge 4qmm 281	●				●	●	●	
14	e324023	Turning contactor 230 V 50/6	●				●	●	●	
15	e373009	Fuse clamp 35 DIN	●				●	●	●	
16	e362068	Designation strip "10 A"	●				●	●	●	
17	e371009	End plate fuse clamp	●				●	●	●	
18	e375002	Fine fuse 10 A slow 5 x 20 mm	●				●	●	●	
20	742767	Interference filter d2k voltage sup	●				●	●	●	
21	e324002	Contactur DSL 23-10 230 V 50 H	●				●	●	●	
24	e362067	Designation strip "2A"	●				●	●	●	
25	e371069	Neutral conductor clamp blue 10qmr	●				●	●	●	
26	e371064	Transit clamp grey, 10qmm 10 qmm	●				●	●	●	
27	e371063	Protective conductor clamp 10 q	●				●	●	●	
28	e371021	Universal clamp blue 4qmm	●				●	●	●	
29	e375007	Fine fuse 2 A slow 5 x 20 mm	●				●	●	●	
31	e336029	Safety thermal release 1-pole 360	●				●	●	●	
32	e500098	Oval-head screw DIN 7985 M 4x10 V2A	●				●	●	●	
33	e508012	Washer DIN 125 A 4,3 V2A	●				●		●	
34	e334007	Thermostat 250 C one pole	●				●	●	●	
35	e505031	Hexagonal nut ISO 4032 M4 V2A DI	●				●	●	●	
36	e362070	Designation strip "" = connection	●				●	●	●	
37	e362044	Designation strip "L1-PE"	●				●	●	●	
####	753483	Harness control MA 6/1011 d2k	●				●	●	●	
####	755044	Harness controls MA 61011 hinged left	●				●	●	●	
####	753629	Harness illumination 6-11 d2k	●				●	●		
####	e302002	Connection cable 5 x 1,50 compl	●				●		●	
####	e302004	Connecting cable 5 x 2,5	●				●		●	
####	753637	Harness illumination 1011 d2k	●				●	●		

Pos.	Article no.	Description	Genius Gaz	Multimax A	Multimax B	Genius	Autoclean	6-11	10-11	20-11

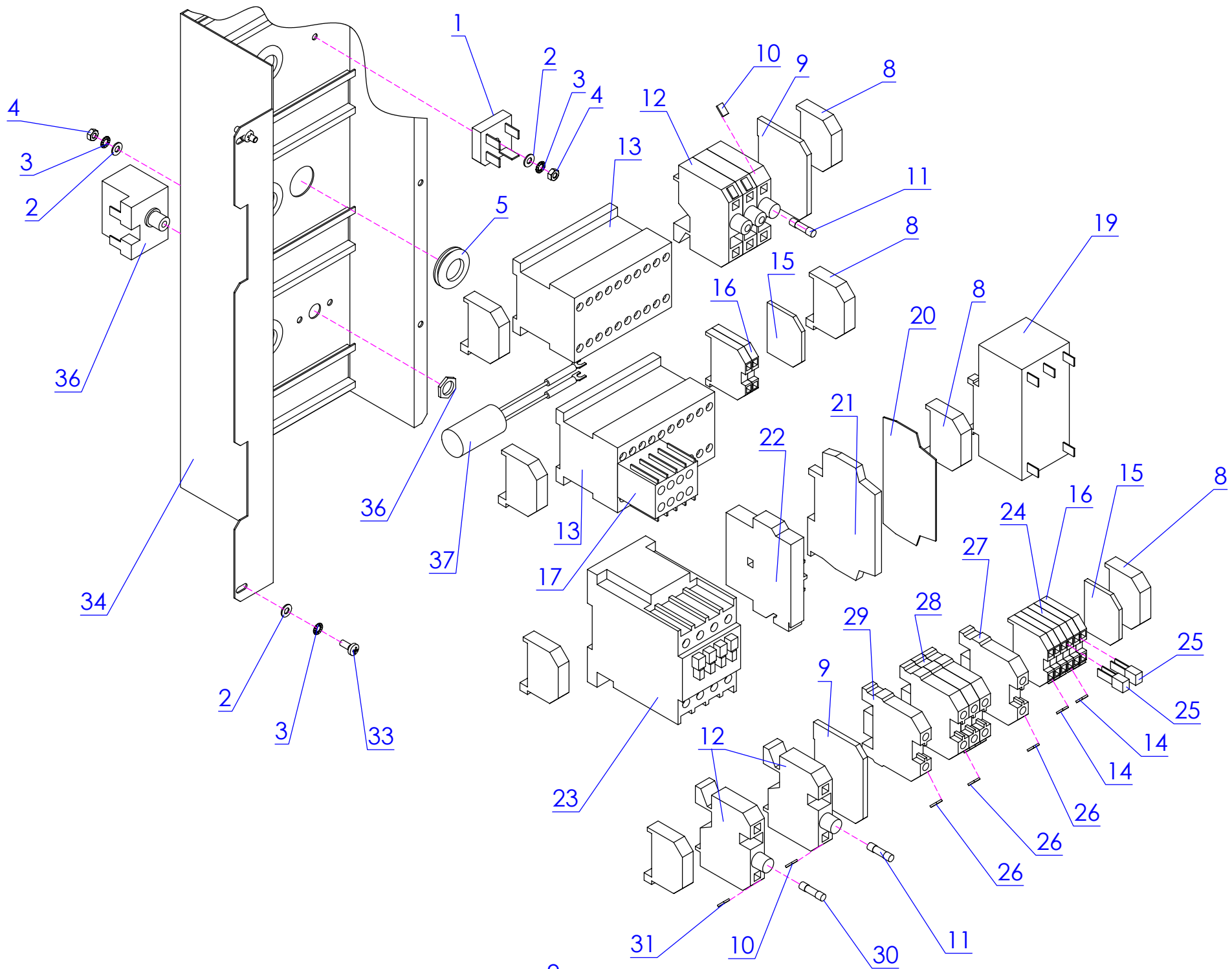




# MA /MB/Genius /Genius Gaz/ 6-11 10-11 20-11

Pos.	Article no.	Description	Genius Gaz	Multimax A	Multimax B	Genius	Autoclean	6-11	10-11	20-11
1	751901	Electric mounting plate 20-11 d2k		●						●
3	e371025	End plate for universal clamp 4qm		●						●
4	e371022	Universal clamp grey 4qmm		●						●
5	e362070	Designation strip "" = connection		●						●
6	e371014	Cross bridge 4qmm 281		●						●
7	e371010	End clamp for rail 35 DIN		●						●
8	e306019	Rubber socket black PG 16		●						●
10	e508012	Washer DIN 125 A 4,3 V2A		●						●
11	e510013	Toothed disk DIN 6797 J 4,3 V2A		●						●
13	e500091	Oval-head screw DIN 7985 M		●						●
14	e371009	End plate fuse clamp		●						●
15	e373009	Fuse clamp 35 DIN		●						●
16	e362068	Designation strip "10 A"		●						●
17	e375002	Fine fuse 10 A slow 5 x 20 mm		●						●
18	e324023	Turning contactor 230 V 50/6		●						●
19	e324002	Contactur DSL 23-10 230 V 50 H		●						●
20	e373028	safety element		●						●
21	e373021	Insert 35 A		●						●
22	e375013	Safety fuse 35 A Neozet		●						●
24	742767	Interference filter d2k voltage sup		●						●
25	e508013	Washer DIN 125 A 6,4 V2A		●						●
26	e510015	Toothed disk DIN 6797 J 6,4 V2A		●						●
27	e505032	Hexagonal nut ISO 4032 M6 V2A DI		●						●
28	e306025	Spout DG 36		●						●
29	751898	Terminal 35 qmm 3x10 qmm		●						●
30	751871	Terminal 35 qmm 3x10 qmm		●						●
31	e371035	PE clamp 35 qmm g/y		●						●
32	e362044	Designation strip "L1-PE"		●						●
33	e371021	Universal clamp blue 4qmm		●						●
34	e371041	Clamp grey 2 conductors with flange		●						●
35	e371037	Clamp grey 4 conductors		●						●
36	e371036	Clamp blue 4 conductors blue		●						●
37	e371039	End plate		●						●
38	e336029	Safety thermal release 1-pole 360		●						●
39	e334007	Thermostat 250 C one pole		●						●
####	e362047	Label SICOTRONIC 26x52 m attention vc		●						●
####	755087	Harness controls MA 2011 hinged righ		●						●
####	753645	Harness illumination 20-11 20-2		●						●

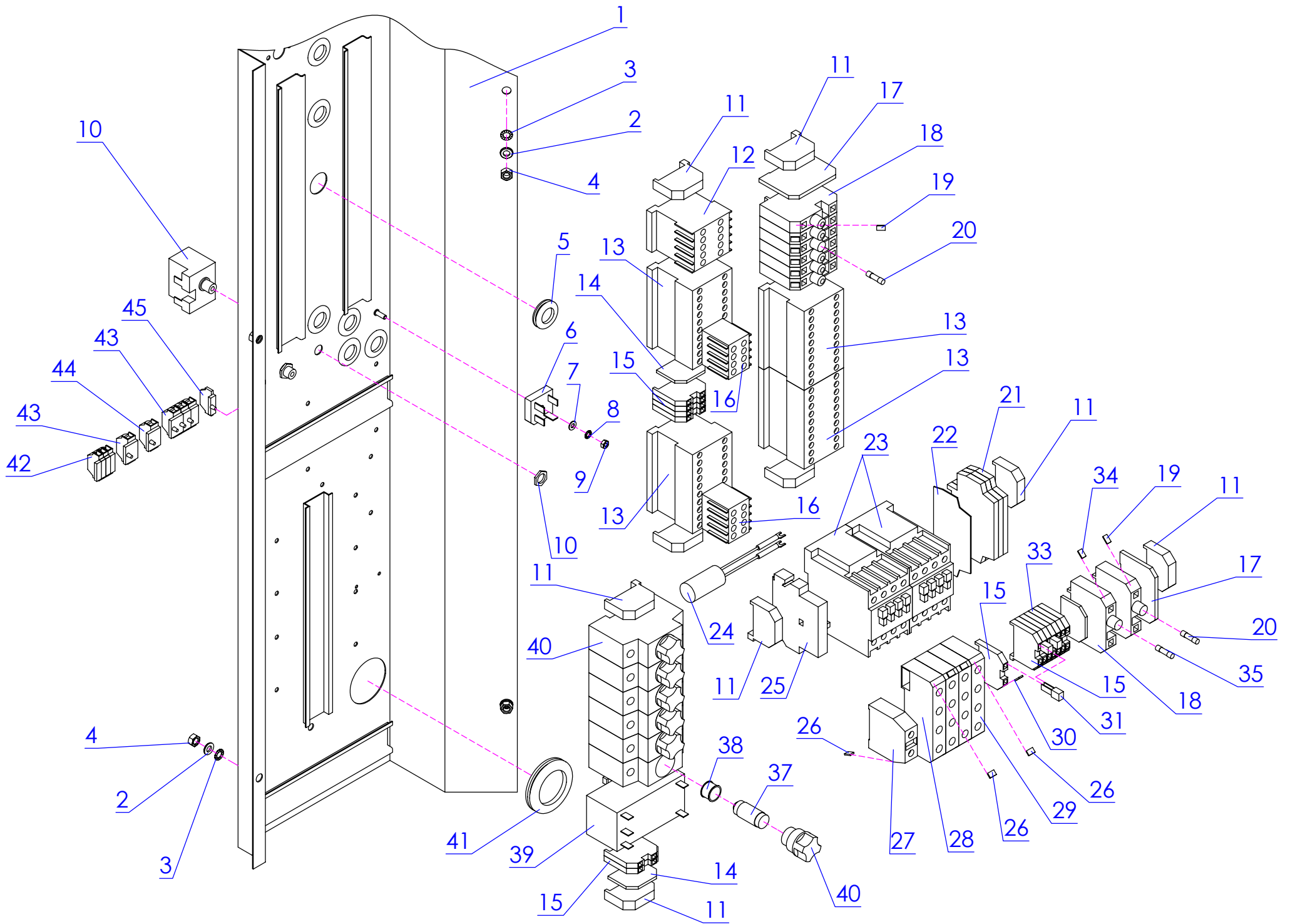
Pos.	Article no.	Description	Genius Gaz	Multimax A	Multimax B	Genius	Autoclean	6-11	10-11	20-11



**MA /MB/Genius /Genius Gaz/ 6-11 10-11 20-11**

Pos.	Article no.	Description		Genius Gaz	Multimax A	Multimax B	Genius	Autoclean	6-11	10-11	20-11
1	e308056	Bridge rectifier				●	●	●	●	●	
2	e508012	Washer DIN 125 A 4,3	V2A			●	●	●	●	●	
3	e510013	Toothed disk DIN 6797	J 4,3 V2A			●	●	●	●	●	
4	e505031	Hexagonal nut ISO 4032	M4 V2A DI			●	●	●	●	●	
5	e306019	Rubber socket black PG 16				●	●	●	●	●	
8	e371010	End clamp for rail 35 DIN				●	●	●	●	●	
9	e371009	End plate fuse clamp				●	●	●	●	●	
10	e362068	Designation strip "10 A"				●	●	●	●	●	
11	e375002	Fine fuse 10 A slow	5 x 20 mm			●	●	●	●	●	
12	e373009	Fuse clamp 35 DIN				●	●	●	●	●	
13	e324023	Turning contactor	230 V 50/60			●	●	●	●	●	
14	e362070	Designation strip "" =	connection			●	●	●	●	●	
15	e371025	End plate for universal	clamp 4qmm			●	●	●	●	●	
16	e371022	Universal clamp grey 4qmm				●	●	●	●	●	
17	751790	Auxiliary switch block	3 closer, 1			●	●	●	●	●	
19	742767	Interference filter d2k	voltage sup			●	●	●	●	●	
20	752452	Intermediate end plate	d2k			●	●	●	●	●	
21	742813	Auxiliary relay 230 V				●	●	●	●	●	
22	751839	Auxiliary switch block	for ABB con			●	●	●	●	●	
23	e324002	Contacto DSL 23-10	230 V 50 H			●	●	●	●	●	
24	e371021	Universal clamp blue 4qmm				●	●	●	●	●	
25	e371014	Cross bridge 4qmm 281				●	●	●	●	●	
26	e362044	Designation strip "L1-PE"				●	●	●	●	●	
27	e371063	Protective conductor	clamp 10 q			●	●	●	●	●	
28	e371064	Transit clamp grey, 10qmm	10 qmm			●	●	●	●	●	
29	e371069	Neutral conductor clamp	blue 10qmm			●	●	●	●	●	
30	e375009	Fine fuse 4 AT				●	●	●	●	●	
33	e500098	Oval-head screw DIN 7985	M 4x10 V2A			●	●	●	●	●	
34	744514	Electric mounting plate	6/10-11 hin			●	●	●	●	●	
36	e336029	Safety thermal release	1-pole 360			●	●	●	●	●	
37	e308077	Anti-interference capa-	citor RC 0,2			●	●	●	●	●	
#####	e302002	Connection cable 5 x 1,50	compl			●	●	●	●	●	
#####	e302004	Connecting cable 5 x 2,5				●	●	●	●	●	
#####	753491	Harness control 6/10-11	MB/Genius			●	●	●	●	●	
#####	753548	Harnais control Genius/MB	6/10-11 hin			●	●	●	●	●	
#####	753688	Harness low voltage 1011	d2k			●	●	●	●	●	
#####	753629	Harness illumination 6-11	d2k			●	●	●	●	●	
#####	753637	Harness illumination 1011	d2k			●	●	●	●	●	

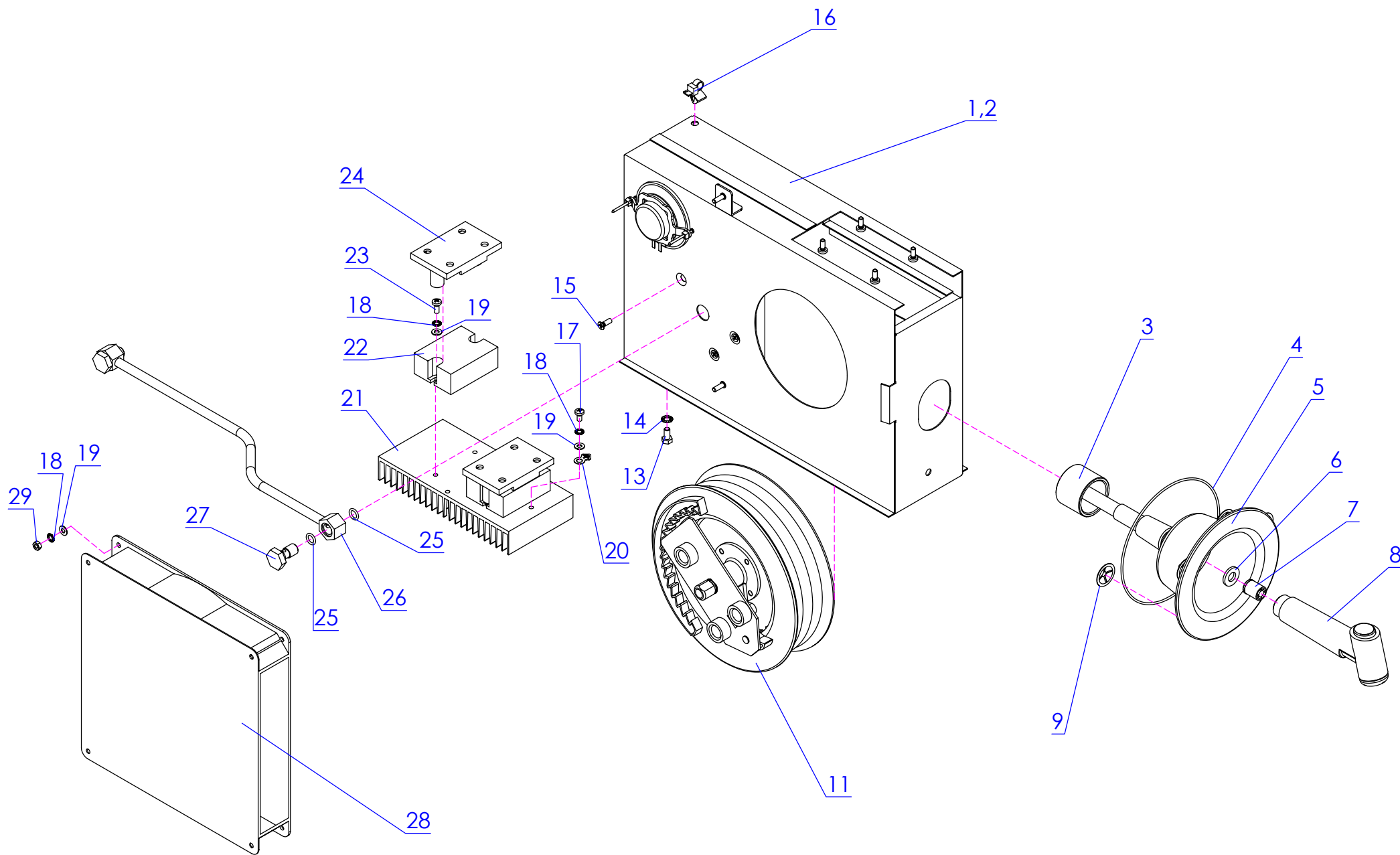
Pos.	Article no.	Description		Genius Gaz	Multimax A	Multimax B	Genius	Autoclean	6-11	10-11	20-11



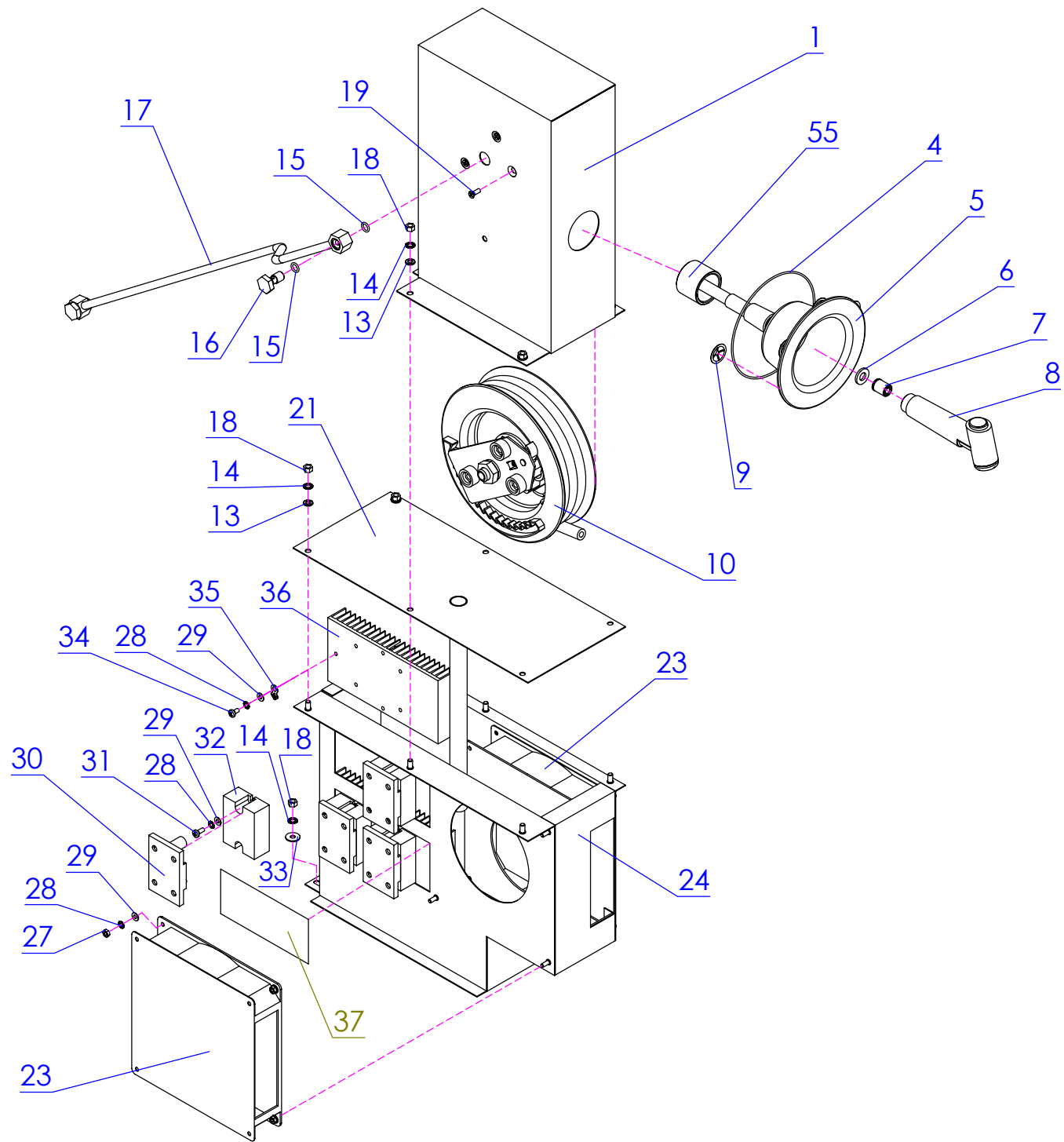
**MA /MB/Genius /Genius Gaz/ 6-11 10-11 20-11**

Pos.	Article no.	Description	Genius Gaz	Multimax A	Multimax B	Genius	Autoclean	6-11	10-11	20-11
1	751901	Electric mounting plate 20-11 d2k			●	●	●			●
2	e508013	Washer DIN 125 A 6,4 V2A			●	●	●			●
3	e510015	Toothed disk DIN 6797 J 6,4 V2A			●	●	●			●
4	e505032	Hexagonal nut ISO 4032 M6 V2A DI			●	●	●			●
5	e306019	Rubber socket black PG 16			●	●	●			●
6	e308056	Bridge rectifier			●	●	●			●
7	e508012	Washer DIN 125 A 4,3 V2A			●	●	●			●
8	e510013	Toothed disk DIN 6797 J 4,3 V2A			●	●	●			●
9	e505031	Hexagonal nut ISO 4032 M4 V2A DI			●	●	●			●
10	e336029	Safety thermal release 1-pole 360			●	●	●			●
11	e371010	End clamp for rail 35 DIN			●	●	●			●
12	752177	Auxiliary contactor 4 S			●	●	●			●
13	e324023	Turning contactor 230 V 50/60			●	●	●			●
14	e371025	End plate for universal clamp 4qmm			●	●	●			●
15	e371022	Universal clamp grey 4qmm			●	●	●			●
16	751790	Auxiliary switch block 3 closer, 1			●	●	●			●
17	e371009	End plate fuse clamp			●	●	●			●
18	e373009	Fuse clamp 35 DIN			●	●	●			●
19	e362068	Designation strip "10 A"			●	●	●			●
20	e375002	Fine fuse 10 A slow 5 x 20 mm			●	●	●			●
21	742813	Auxiliary relay 230 V			●	●	●			●
22	752452	Intermediate end plate d2k			●	●	●			●
23	e324002	Contactar DSL 23-10 230 V 50 H			●	●	●			●
24	e308077	Anti-interference capacitor RC 0,2			●	●	●			●
25	751839	Auxiliary switch block for ABB con			●	●	●			●
26	e362044	Designation strip "L1-PE"			●	●	●			●
27	e371035	PE clamp 35 qmm g/y			●	●	●			●
28	751871	Terminal 35 qmm 3x10 qmm			●	●	●			●
29	751898	Terminal 35 qmm 3x10 qmm			●	●	●			●
30	e362070	Designation strip "" = connection			●	●	●			●
31	e371014	Cross bridge 4qmm 281			●	●	●			●
33	e371021	Universal clamp blue 4qmm			●	●	●			●
34	e362067	Designation strip "2A"			●	●	●			●
35	e375007	Fine fuse 2 A slow 5 x 20 mm			●	●	●			●
37	e375013	Safety fuse 35 A Neozet			●	●	●			●
38	e373021	Insert 35 A			●	●	●			●
39	742767	Interference filter d2k voltage sup			●	●	●			●
40	e373028	safety element			●	●	●			●

Pos.	Article no.	Description	Genius Gaz	Multimax A	Multimax B	Genius	Autoclean	6-11	10-11	20-11
41	e306025	Spout DG 36			●	●	●			●
42	e371041	Clamp grey 2 conductors with flange			●	●	●			●
43	e371037	Clamp grey 4 conductors			●	●	●			●
44	e371036	Clamp blue 4 conductors blue			●	●	●			●
45	e371039	End plate			●	●	●			●
####	753505	Harness control d2k 2011			●	●	●			●
####	753696	Harness low voltage 20-11 d2k			●	●	●			●
####	753645	Harness illumination 20-11 20-2			●	●	●			●





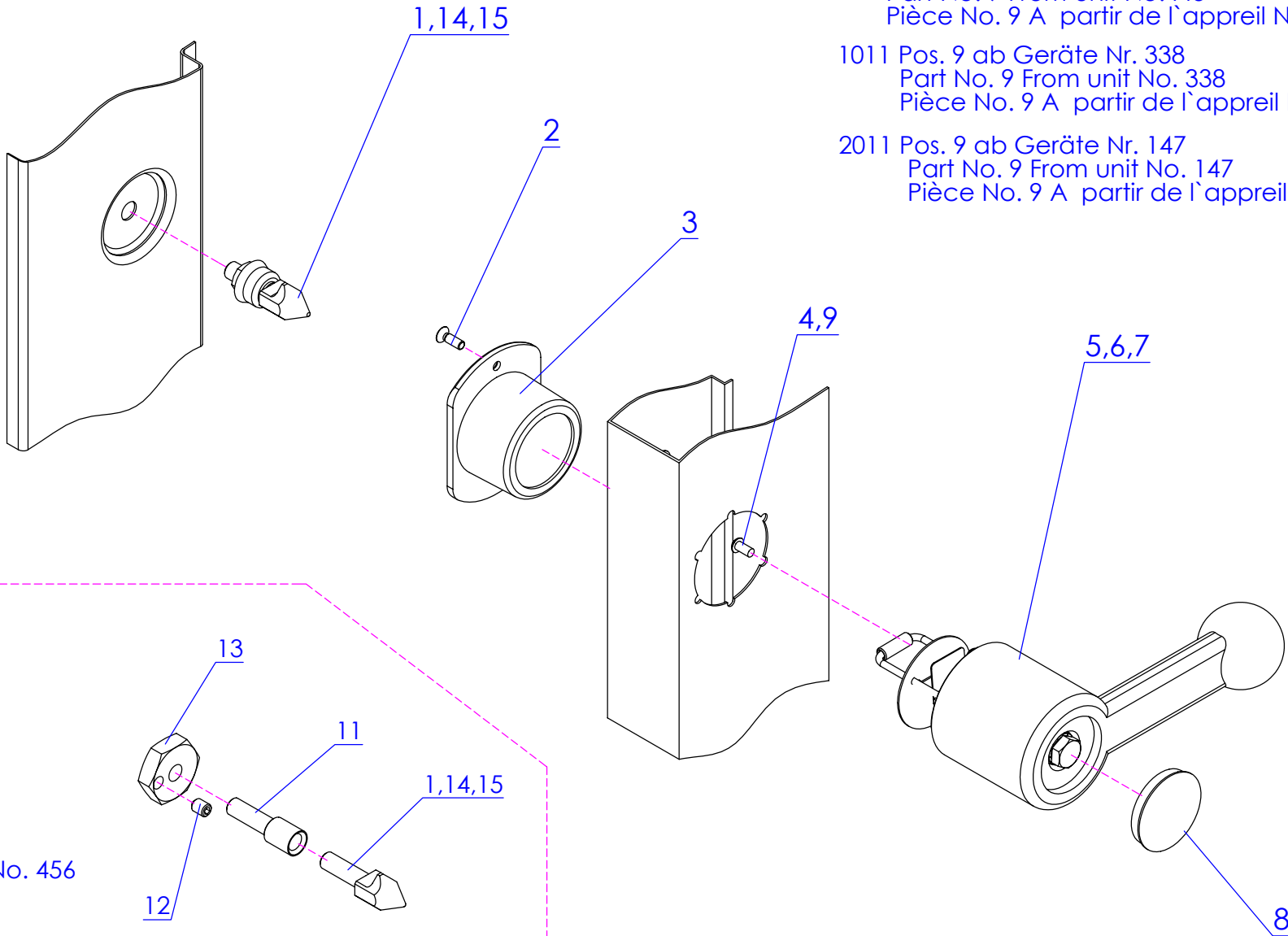




**MA /MB/Genius /Genius Gaz/ 6-11 10-11 20-11**

Pos.	Article no.	Description	Genius Gaz	Multimax A	Multimax B	Genius	Autoclean	6-11	10-11	20-11
1	755419	Housing tube roller 2011 d2k	●	●	●	●	●			●
3	753238	Funnel tube 61011 d2k (handshowe	●	●	●	●	●			●
4	e425154	O - Ring 1,78 x 120,37 Viton	●	●	●	●	●			●
5	e380079	Funnel blue RAL 5003 holding sho	●	●	●	●	●			●
6	e425180	Packing, shower head	●	●	●	●	●			●
7	753459	Non-return valve Autoclean	●	●	●	●	●			●
8	e250059	Shower head compl. red ED	●	●	●	●	●			●
9	e512075	Spring nut d=4-7	●	●	●	●	●			●
10	753289	Tube roller 20-11 12/2011 handshowe	●	●	●	●	●			●
13	e508002	Washer DIN 125 A 5,3 V2A	●	●	●	●	●			●
14	e510014	Toothed disk DIN 6797 J 5,3 V2A	●	●	●	●	●			●
15	e425026	O-ring D 9,25 x 1,78 EPDM	●	●	●	●	●			●
16	e440040	Hollow screw size 1	●	●	●	●	●			●
17	753300	Connecting tube 2011 hose roll-up	●	●	●	●	●			●
18	e505024	Hexagon nut ISO 4032 M 5 V2A DI	●	●	●	●	●			●
19	e500136	Countersunk screw DIN 965 M6 x 12 V2	●	●	●	●	●			●
20	e505013	Hexagonal nut DIN 439 M14 x 1,5,	●	●	●	●	●			●
21	755443	Cover roll-up case handshowe	●	●	●	●	●			●
23	752525	Axial Blower 1221/2011/ 2021 d2k	●	●	●	●	●			●
24	755389	Air shaft 20-11 d2k	●	●	●	●	●			●
27	e505031	Hexagonal nut ISO 4032 M4 V2A DI	●	●	●	●	●			●
28	e510013	Toothed disk DIN 6797 J 4,3 V2A	●	●	●	●	●			●
29	e508012	Washer DIN 125 A 4,3 V2A	●	●	●	●	●			●
30	e324040	Cover relay d2k	●	●	●	●	●			●
31	e500098	Oval-head screw DIN 7985 M 4x10 V2	●	●	●	●	●			●
32	752401	Load relay 50 A 6/10/20-11	●	●	●	●	●			●
33	e508032	Washer DIN 9021 A 5,3 V2A	●	●	●	●	●			●
34	e500091	Oval-head screw DIN 7985 N	●	●	●	●	●			●
35	e362136	Sign "earthing"	●	●	●	●	●			●
36	742732	Cooling element 6/10/2011 d2k	●	●	●	●	●			●
37	771716	Cover opening cooling element 12	●	●	●	●	●			●

Pos.	Article no.	Description	Genius Gaz	Multimax A	Multimax B	Genius	Autoclean	6-11	10-11	20-11



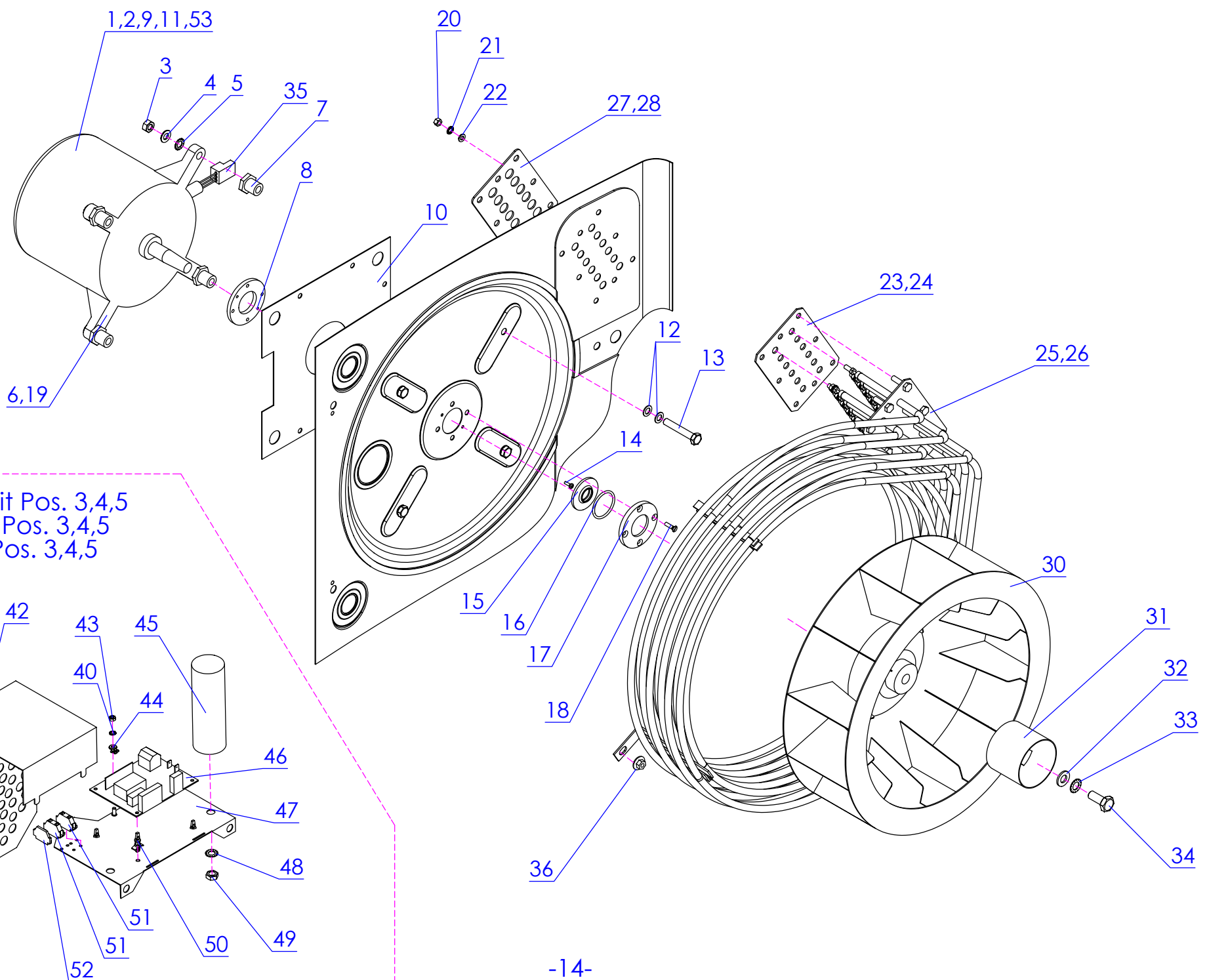
- 611 Pos. 9 ab Geräte Nr. 443  
Part No. 9 From unit No.443  
Pièce No. 9 A partir de l'appareil No. 443
- 1011 Pos. 9 ab Geräte Nr. 338  
Part No. 9 From unit No. 338  
Pièce No. 9 A partir de l'appareil No. 338
- 2011 Pos. 9 ab Geräte Nr. 147  
Part No. 9 From unit No. 147  
Pièce No. 9 A partir de l'appareil No. 147

- 611 ab Geräte Nr. 456  
From unit No. 456  
A partir de l'appareil No. 456
- 1011 ab Geräte Nr. 366  
From unit No. 366  
A partir de l'appareil No. 366
- 2011 ab Geräte Nr. 152  
From unit No.152  
A partir de l'appareil No. 152

**MA /MB/Genius /Genius Gaz/ 6-11 10-11 20-11**

Pos.	Article no.	Description	Genius Gaz	Multimax A	Multimax B	Genius	Autoclean	6-11	10-11	20-11
1	747998	Zigzag block d2k 61011/ 2011	●	●	●	●		●	●	●
2	e500178	Oval flat-head screw M4 x 12 V2	●	●	●	●	●	●	●	●
3	775061	Bushing door lock d2k 61011,2011	●	●	●	●	●	●	●	●
4	e500124	Cup-screw M4x8 V2A with hexagonal	●	●	●	●	●	●	●	●
5	748765	Handle door lock blue, right 61011	●	●	●	●	●	●	●	
6	758388	Handle door lock blue left 6/10-11	●	●	●	●	●	●	●	
7	749532	Handle door lock blue d2k 2011	●	●	●	●	●			●
8	748781	Cap small silver d2k D 37 mm	●	●	●	●	●	●	●	●
9	e500127	Cylindric screw DIN 6912 M6 x 20 V2	●	●	●	●	●	●	●	●
11	766844	Extension for zigzag block d2k	●	●	●	●	●			●
12	768464	Threaded pin M6x8 DIN 916	●	●	●	●	●	●	●	●
13	767476	Locking nut for zigzag block	●	●	●	●	●	●	●	●
14	758264	Double zigzag block 61011 2011	●		●	●	●	●	●	●
15	758272	Double zigzag block d2k 61011 2011	●		●	●	●	●	●	●

Pos.	Article no.	Description	Genius Gaz	Multimax A	Multimax B	Genius	Autoclean	6-11	10-11	20-11



befestigt mit Pos. 3,4,5  
 fasten with Pos. 3,4,5  
 fixer avec Pos. 3,4,5

**MA /MB/Genius /Genius Gaz/ 6-11 10-11 20-11**

Pos.	Article no.	Description	Genius Gaz	Multimax A	Multimax B	Genius	Autoclean	6-11	10-11	20-11
1	742740	Motor L9 EB 50 4/8 poles 6/10/20-11			●	●	●	●	●	●
2	748501	Motor L9 EB 50 4-poles		●			●	●	●	●
3	e505033	Hexagonal nut ISO 4032 M8 V2A DI	●			●	●	●	●	●
4	e508017	Washer DIN 125 A 8,4 V2A	●	●	●	●	●	●	●	●
5	e510016	Toothed disk DIN 6797 J 8,4 V2A	●	●	●	●	●	●	●	●
6	e390077	Cooling wheel f. motor L9 EB 100/4-8	●	●	●	●	●	●	●	●
7	743615	Distance bushing motor 6/10-11 d2k	●	●	●	●	●	●	●	●
8	e412037	Shaft packing gasket MA	●	●	●	●	●	●	●	●
9	765945	Motor 8 poles EB 50 61011 2011	●			●	●	●	●	●
10	747785	Motor insulating plate 611 1011 2	●	●	●	●	●	●	●	●
11	e316025	Speed counter motor d2k	●	●	●	●	●	●	●	●
12	e427038	Copper gasket	●	●	●	●	●	●	●	●
13	749389	Hexagon cap screw ISO4017 M 8x50 V2A	●	●	●	●	●	●	●	●
14	e500095	Oval-head screw DIN 7985 M 3x10 V2A	●	●	●	●	●	●	●	●
15	e425063	Shaft packing ring 16x41x3 L7	●	●	●	●	●	●	●	●
16	e425066	O-ring 34,59 x 2,62 Viton	●	●	●	●	●	●	●	●
17	e412089	Shaft packing flange E	●	●	●	●	●	●	●	●
18	e500130	Countersunk screw DIN 965 M4 x 16 V2A	●	●	●	●	●	●	●	●
19	e500203	Stud bolt DIN 914 M4 x 8 V2A	●	●	●	●	●	●	●	●
20	e505024	Hexagon nut ISO 4032 M 5 V2A DI		●	●	●	●	●	●	●
21	e510014	Toothed disk DIN 6797 J 5,3 V2A		●	●	●	●	●	●	●
22	e508002	Washer DIN 125 A 5,3 V2A		●	●	●	●	●	●	●
23	749451	Gasket heater element 10/20-11,11		●	●	●	●		●	●
24	749427	Gasket heater element 6-11 d2k		●	●	●	●	●		
25	742414	Heater element 10.5 kW 6-11 d2k		●	●	●	●	●		
26	742422	Heater element 21,6 kW 10-11 20-11		●	●	●	●		●	●
27	757993	Counter flange heater element 10		●	●	●	●		●	●
28	757985	Counter flange heater element 6-11	●	●	●	●	●	●		
30	743372	Fan wheel 350x110 6/10/20-11	●	●	●	●	●	●	●	●
31	e412075	distribution bushing humidifier,	●	●	●	●	●	●	●	●
32	e508014	Washer DIN 125 A 10,5 V2A	●	●	●	●	●	●	●	●
33	e510017	Toothed disk DIN 6797 J 10,5 V2A	●	●	●	●	●	●	●	●
34	749397	Hexagon cap screw ISO4017 M 10x25 V2A	●	●	●	●	●	●	●	●
35	749281	Plug 3 poles straight	●	●	●	●	●	●	●	●
36	e505117	Disk nut M5 V2A		●	●	●	●	●	●	●
39	e500098	Oval-head screw DIN 7985 M 4x10 V2A	●				●	●	●	●
40	e510013	Toothed disk DIN 6797 J 4,3 V2A	●				●	●	●	●
41	e508012	Washer DIN 125 A 4,3 V2A	●				●	●	●	●

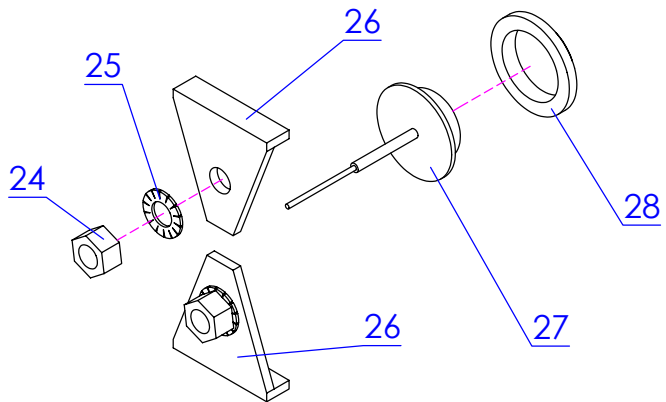
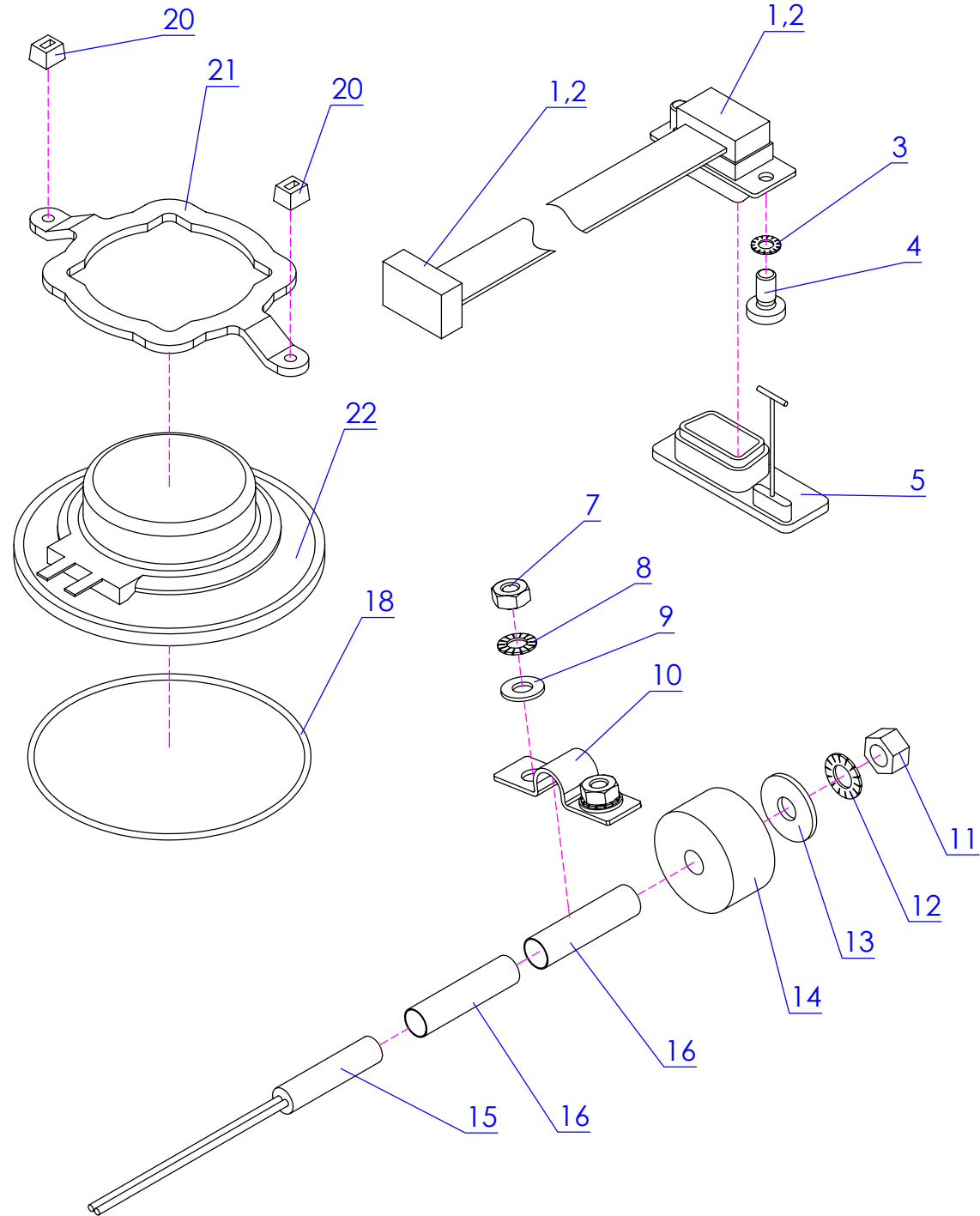
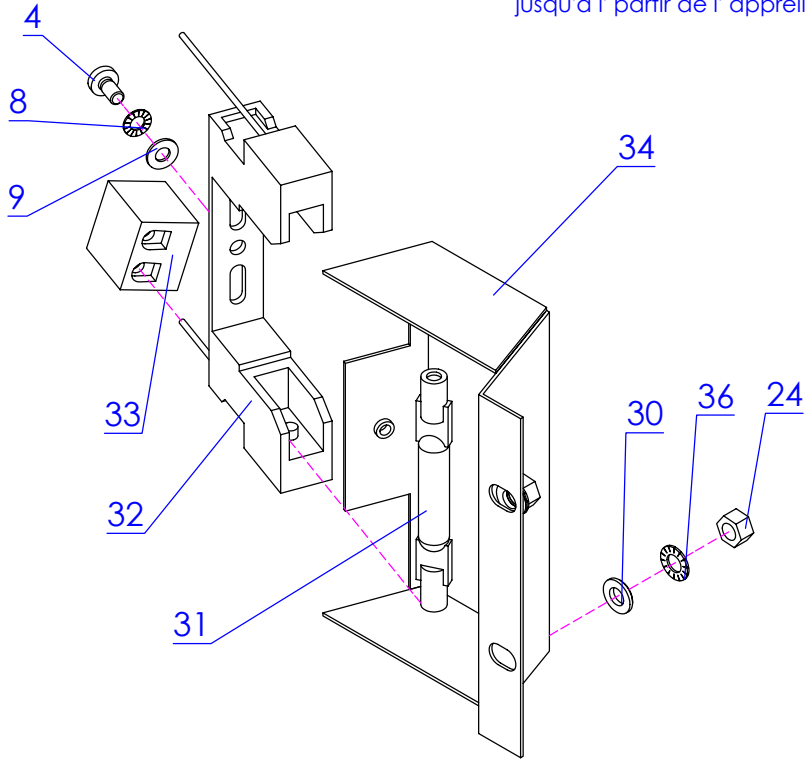
Pos.	Article no.	Description	Genius Gaz	Multimax A	Multimax B	Genius	Autoclean	6-11	10-11	20-11
42	768391	Cover el. board d2k gas	●				●	●	●	●
43	e505031	Hexagonal nut ISO 4032 M4 V2A DI	●				●	●	●	●
44	e362136	Sign "earthing"	●				●	●	●	●
45	765678	Motor condenser 25uF 280V	●				●	●	●	●
46	743992	Automatic gas firing d2k	●				●	●	●	●
46	743992	Automatic gas firing d2k	●				●	●	●	●
47	765961	Mounting plate autom. gas apparatus	●				●	●	●	●
48	e510016	Toothed disk DIN 6797 J 8,4 V2A	●				●	●	●	●
49	e505033	Hexagonal nut ISO 4032 M8 V2A DI	●				●	●	●	●
50	749834	Spacer for control board	●				●	●	●	●
51	e371041	Clamp grey 2 conductors with flange	●				●	●	●	●
52	e371039	End plate	●				●	●	●	●
53	765945	Motor 8 poles EB 50 61011 2011	●				●	●	●	●
####	755761	Star bridge, heating 2,5 bw l= 1,5		●	●	●	●	●	●	●
####	755788	Star bridge, heating 4 b/w, l=15		●	●	●	●	●	●	●
####	755796	Star bridge, heating 6 bw l=200		●	●	●	●	●	●	●
####	753556	Harness heating MA 6-11 d2k		●			●	●		
####	753564	Harness heating MB/Genius 6-11 d2k	●		●	●	●	●		
####	753572	Harness heating MA 10-11 d2k		●			●		●	
####	753580	Harness heating MB/Genius 10-11 d2k	●		●	●	●		●	
####	755095	Harness heating MA 2011 d2k		●			●			●
####	753599	Harness heating d2k 2011	●		●	●	●			●

Achtung! Aufbauänderung siehe Seite 26  
Attention! Modified construction see page 26  
Attention! Construction modifiée voir page 26

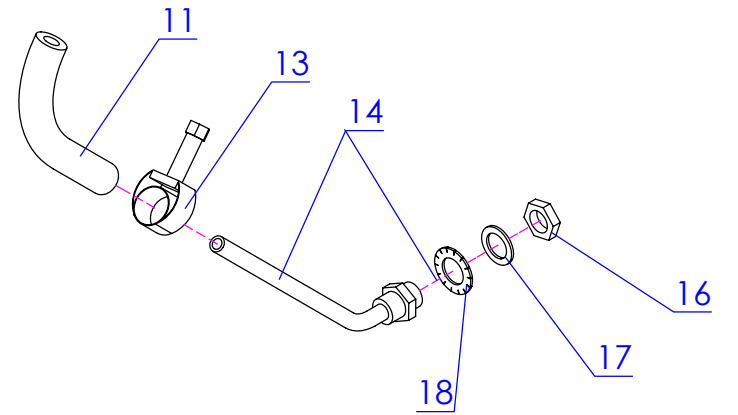
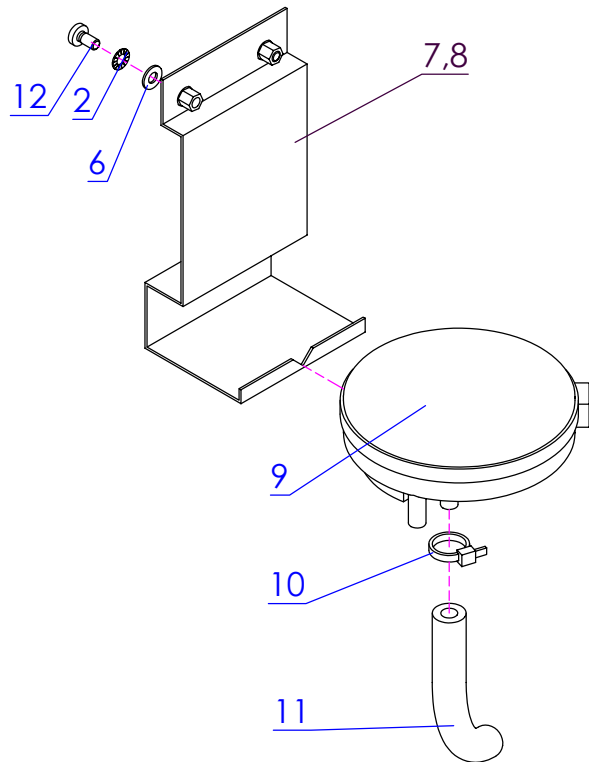
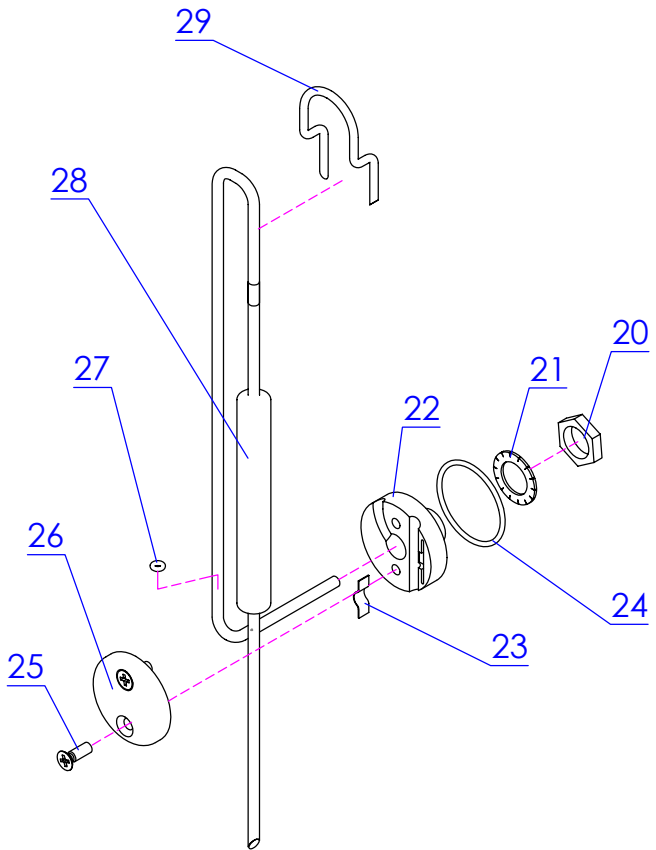
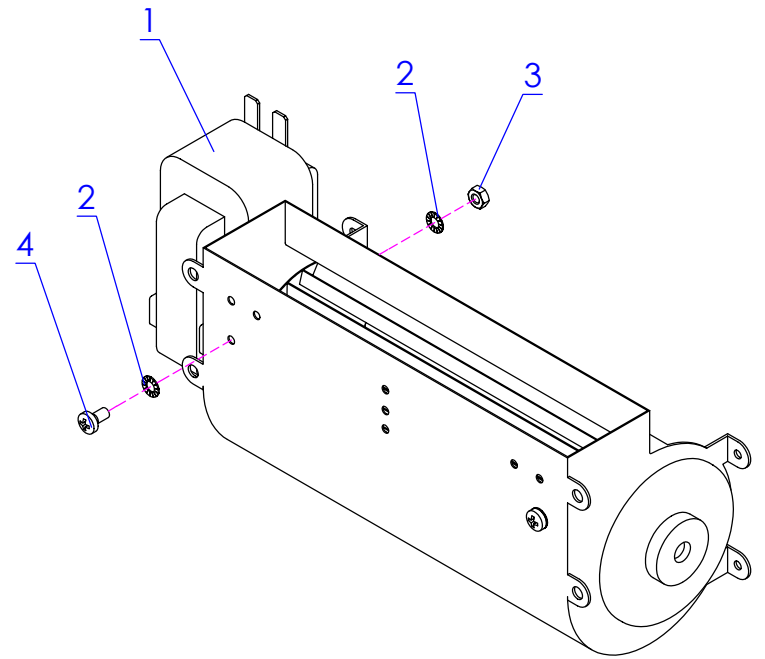
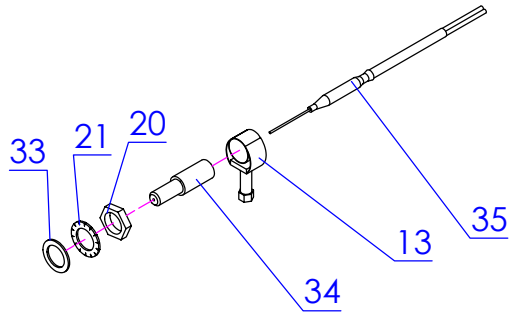
611 bis Geräte Nr. 227  
Up to unit No. 227  
jusqu'à l' partir de l'appreil No. 227

1011 bis Geräte Nr. 188  
Up to unit No. 188  
jusqu'à l' partir de l'appreil No. 188

2011 bis Geräte Nr. 109  
Up to unit No. 109  
jusqu'à l' partir de l' appareil No. 109







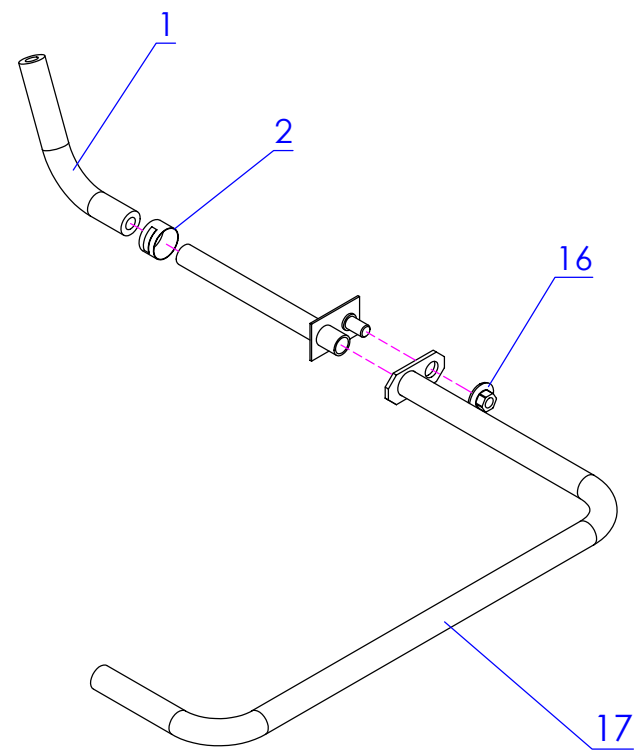
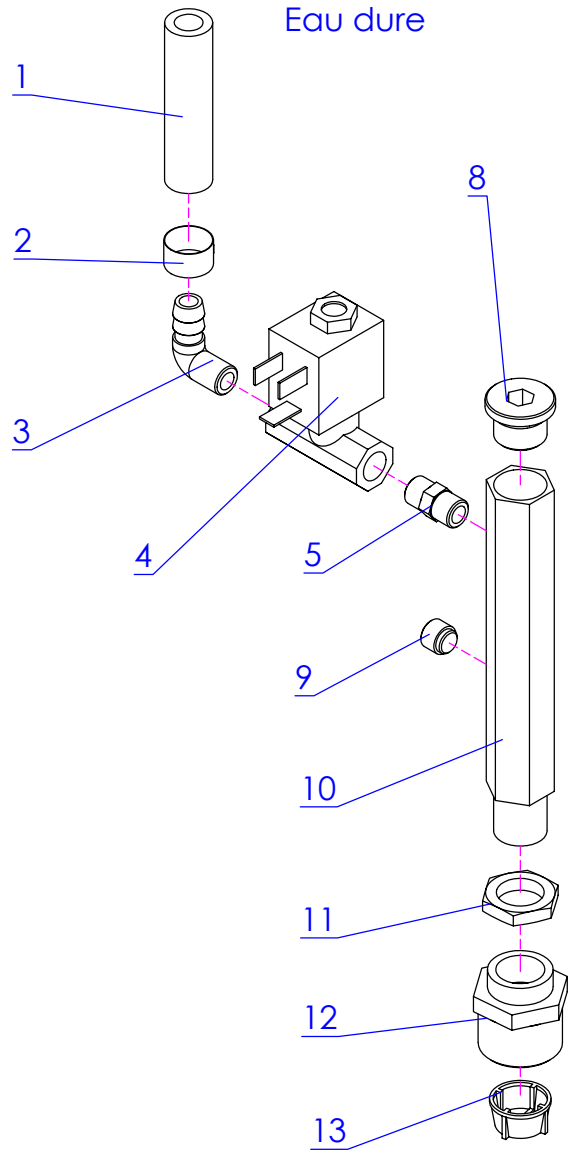


**MA /MB/Genius /Genius Gaz/ 6-11 10-11 20-11**

Pos.	Article no.	Description	Genius Gaz	Multimax A	Multimax B	Genius	Autoclean	6-11	10-11	20-11
1	e390023	Cross flow fan 180 mm	●	●	●	●	●			●
2	e510013	Toothed disk DIN 6797 J 4,3 V2A	●	●	●	●	●	●	●	●
3	e505031	Hexagonal nut ISO 4032 M4 V2A DI	●	●	●	●	●	●	●	●
4	e500091	Oval-head screw DIN 7985 N	●	●	●	●	●	●	●	●
6	e508012	Washer DIN 125 A 4,3 V2A	●	●	●	●	●	●	●	●
7	745626	Holder differential pressure pr	●	●	●	●	●	●		
8	757918	Holder probe pressure differential	●	●	●	●	●			●
9	752479	Differential pressure probe d2k	●	●	●	●	●	●	●	●
10	e422040	Cable binder 160x2.5	●	●	●	●	●	●	●	●
11	e444055	Silicone hose 6X3 transparent	●	●	●	●	●	●	●	●
12	e500091	Oval-head screw DIN 7985 N	●	●	●	●	●	●	●	●
13	e422017	Hose clip D 14	●	●	●	●	●	●	●	●
14	748919	Threaded nozzle, differential pres	●	●	●	●	●	●	●	●
16	e505102	Nut G 1/8	●	●	●	●	●	●	●	●
17	e427020	Copper gasket heater element; D	●	●	●	●	●	●	●	●
18	e510017	Toothed disk DIN 6797 J 10,5 V2A	●	●	●	●	●	●	●	●
20	e505045	Nut 1/4"	●	●	●	●	●	●	●	●
21	e510018	Toothed disk DIN 6797 J 12,5 V2A	●	●	●	●	●	●	●	●
22	743356	Holder core temperature part 2 d2k	●	●	●	●	●	●	●	●
23	743364	Spring holder core temp. d2k	●	●	●	●	●	●	●	●
24	743585	O-ring 29,87 x 178 silicon d2k	●	●	●	●	●	●	●	●
25	e500130	Countersunk screw DIN 965 M4 x 16 V2	●	●	●	●	●	●	●	●
26	743348	Holder core temperature part 1 d2k	●	●	●	●	●	●	●	●
27	e425020	O-ring, 3,68x1,78 VITON	●	●	●	●	●	●	●	●
28	752363	Core temperature probe L=3500 mn	●	●	●	●	●	●	●	●
29	745464	Protecting sieve NiCrNi probe with	●	●	●	●	●	●	●	●
33	e427059	Sealing ring nicked CU 13 x 19 x 1	●	●	●	●	●	●	●	●
34	e410013	Teflon insert NiCrNi sensor MD	●	●	●	●	●	●	●	●
35	e316004	Thermoelement sensor Ni-Cr-Ni MI	●	●	●	●	●	●	●	●
####	753947	Harness probe 6/10-11 d2k	●	●	●	●	●	●		
####	e304354	Harness probe Genius 2011 d2k	●			●	●			●

Pos.	Article no.	Description	Genius Gaz	Multimax A	Multimax B	Genius	Autoclean	6-11	10-11	20-11

Hartwasser  
Hard water  
Eau dure

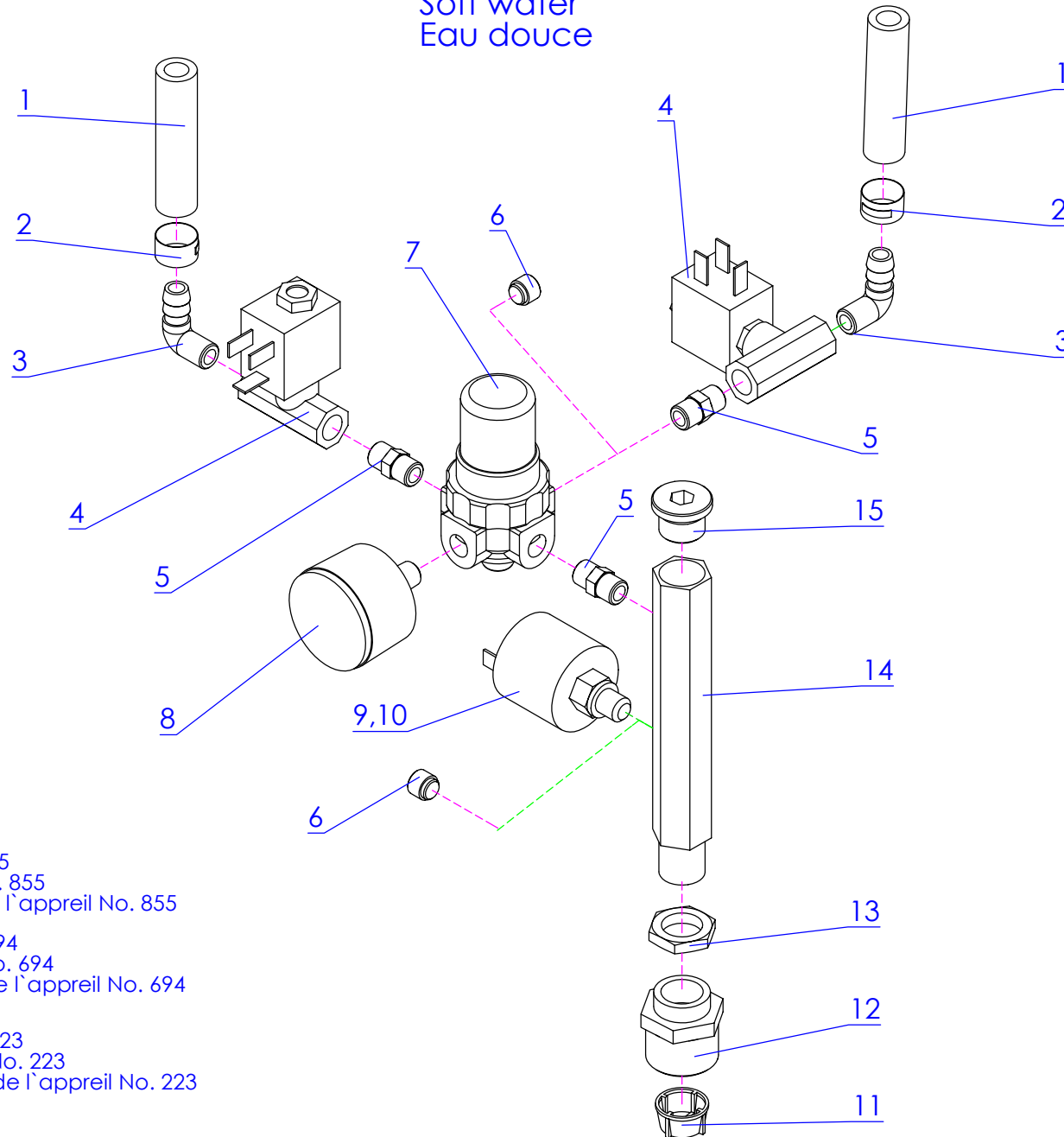


**MA /MB/Genius /Genius Gaz/ 6-11 10-11 20-11**

Pos.	Article no.	Description	Genius Gaz	Multimax A	Multimax B	Genius	Autoclean	6-11	10-11	20-11
1	e444050	Silicon hose 9,0x3,0 mm	●		●	●	●	●	●	●
2	e422017	Hose clip D 14	●		●	●	●	●	●	●
3	e440045	Angle stud 9 mm conn	●		●	●	●	●	●	●
4	e436040	Solenoid-valve type 2000 2/2-way dir	●		●	●	●	●	●	●
5	e440156	Double nipple, conical 1/8K	●		●	●		●	●	●
8	754498	Locking screw 3/8"	●		●	●		●	●	●
9	e440101	Locking screw 1/8"	●		●	●		●	●	●
10	779660	Vertial pipe d2k	●		●	●		●	●	●
11	e505057	Hexagonal nut 3/8" 4,5 nickeled	●		●	●	●	●	●	●
12	e440039	Reduction piece A 3/4" I 3/8"	●		●	●	●	●	●	●
13	e418017	Mudguard	●		●	●	●	●	●	●
16	e505117	Disk nut M5 V2A	●		●	●	●	●	●	●
17	743267	Water supply pipe 6/10/20-11	●		●	●	●	●	●	●

Pos.	Article no.	Description	Genius Gaz	Multimax A	Multimax B	Genius	Autoclean	6-11	10-11	20-11

Weichwasser  
Soft water  
Eau douce



611 Pos. 9 ab Geräte Nr. 855  
Part No. 9 From unit No. 855  
Pièce No. 9 A partir de l'appareil No. 855

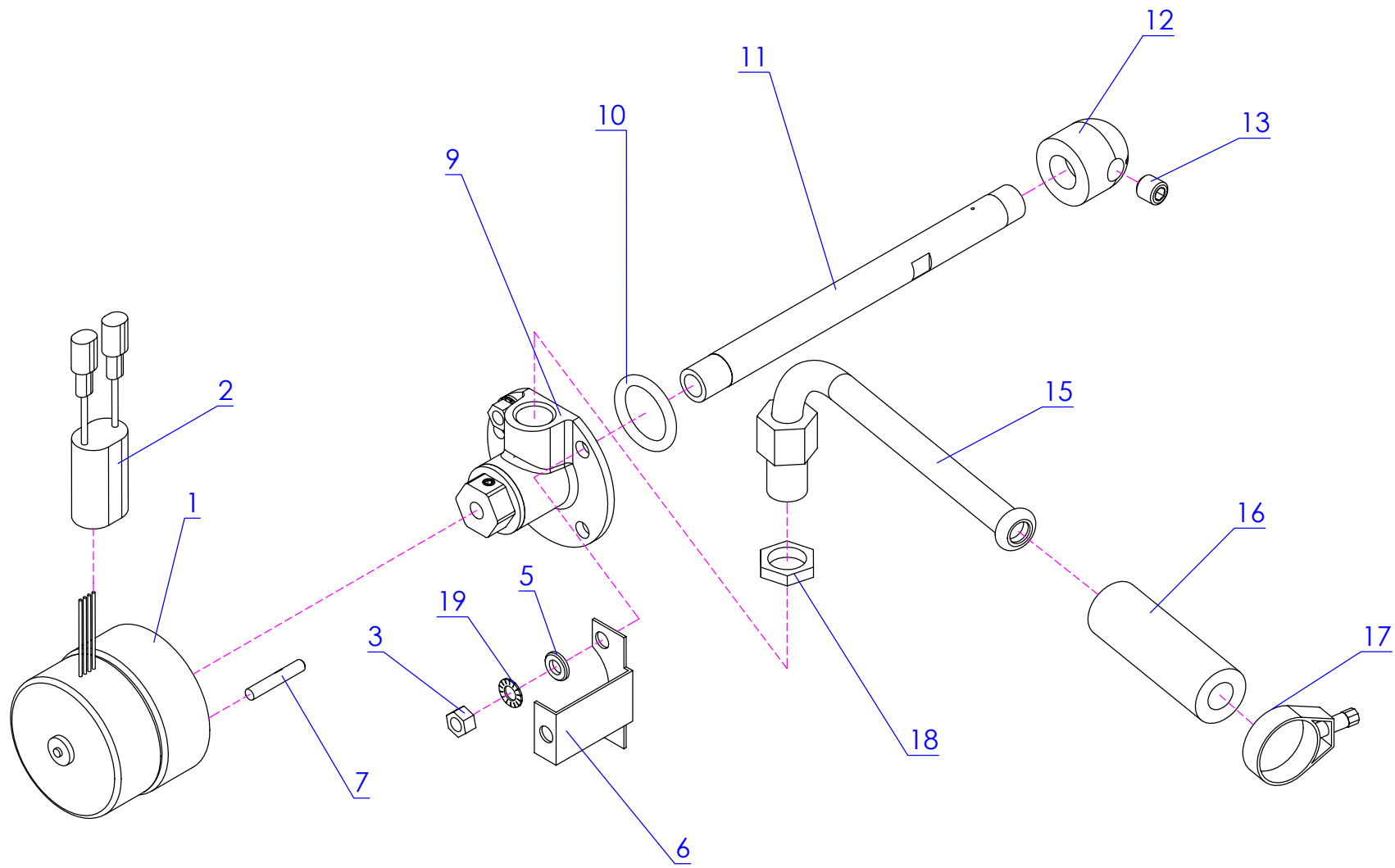
1011 Pos. 9 ab Geräte Nr. 694  
Part No. 9 From unit No. 694  
Pièce No. 9 A partir de l'appareil No. 694

2011 Pos. 9 ab Geräte Nr. 223  
Part No. 9 From unit No. 223  
Pièce No. 9 A partir de l'appareil No. 223

### **MA /MB/Genius /Genius Gaz/ 6-11 10-11 20-11**

Pos.	Article no.	Description	Genius Gaz	Multimax A	Multimax B	Genius	Autoclean	6-11	10-11	20-11
1	e444050	Silicon hose 9,0x3,0 mm	●	●	●	●		●	●	●
2	e422017	Hose clip D 14	●	●	●	●		●	●	●
3	e440045	Angle stud 9 mm conn	●	●	●	●		●	●	●
4	e436040	Solenoid-valve type 2000 2/2-way dir	●	●	●	●		●	●	●
5	e440156	Double nipple, conical 1/8K	●	●	●	●		●	●	●
6	e440101	Locking screw 1/8"		●				●	●	
7	e598198	Conversion kit pressure reducer	●	●	●	●		●	●	●
8	e348009	Pressure gauge 0-4,0 bar	●	●	●	●		●	●	●
9	e598189	Conversion kit push button with	●		●	●				●
10	772305	Pressure switch 10 bar AC	●		●	●				●
11	e418017	Mudguard	●	●	●	●		●	●	●
12	e440039	Reduction piece A 3/4" I 3/8	●	●	●	●		●	●	●
13	e505057	Hexagonal nut 3/8" 4,5 nickele	●	●	●	●		●	●	●
14	779660	Vertial pipe d2k	●	●	●	●		●	●	●
15	754498	Locking screw 3/8"	●	●	●	●		●	●	●

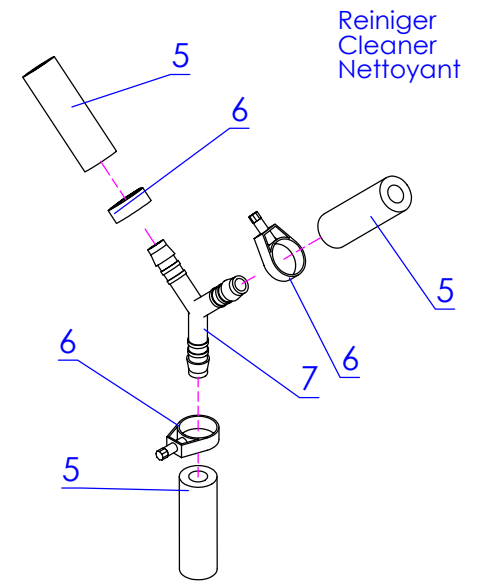
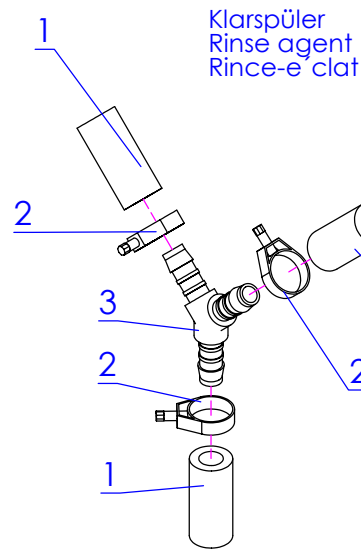
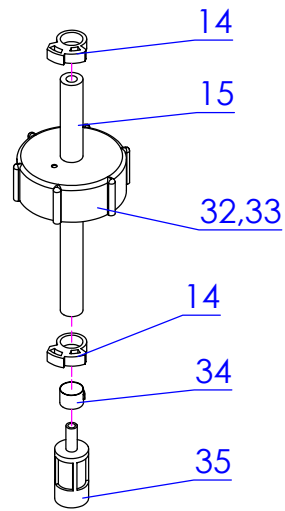
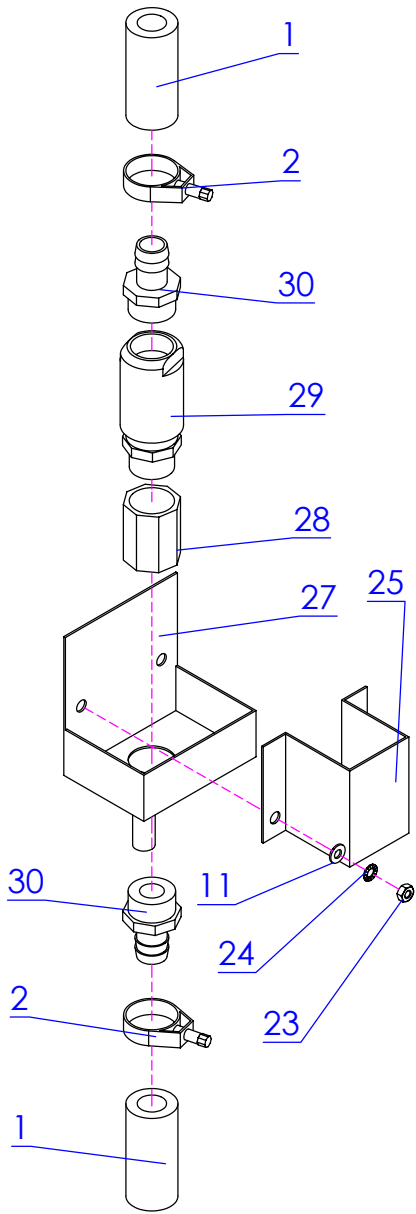
Pos.	Article no.	Description	Genius Gaz	Multimax A	Multimax B	Genius	Autoclean	6-11	10-11	20-11



**MA /MB/Genius /Genius Gaz/ 6-11 10-11 20-11**

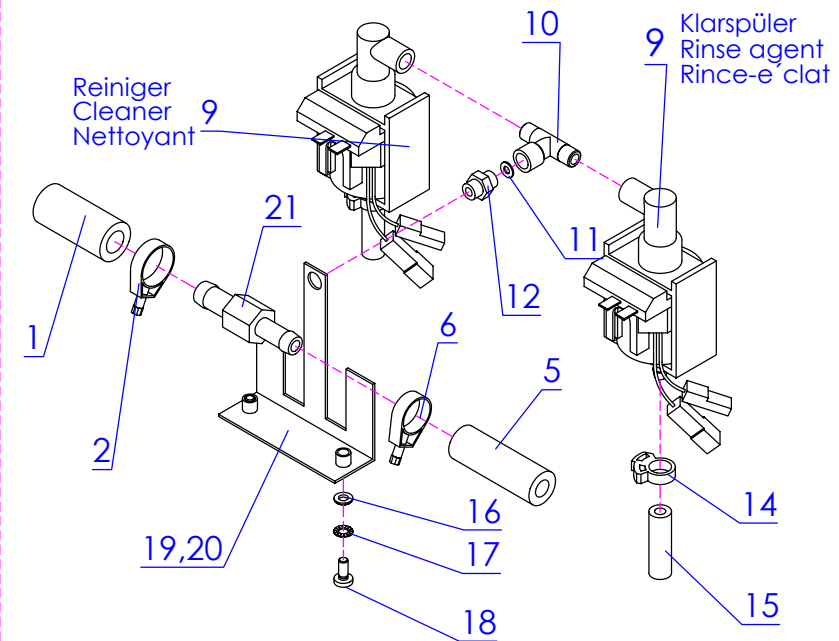
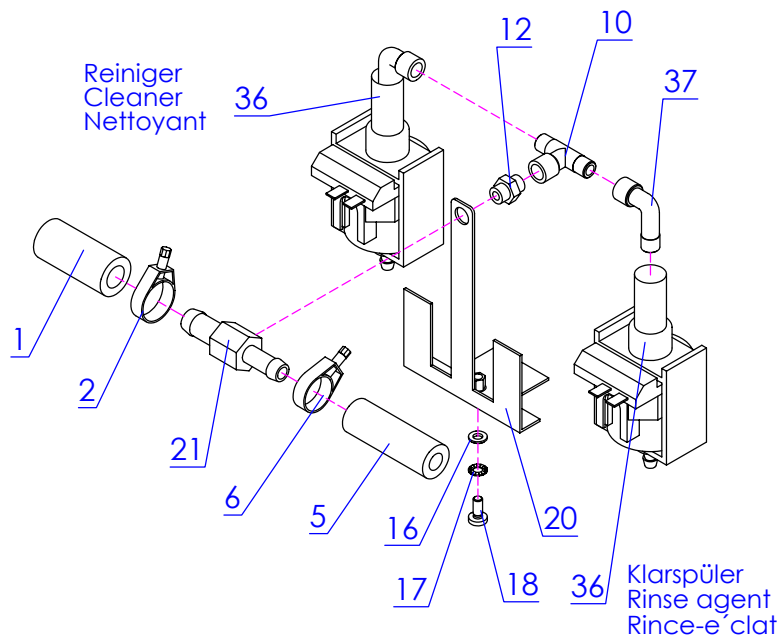
Pos.	Article no.	Description	Genius Gaz	Multimax A	Multimax B	Genius	Autoclean	6-11	10-11	20-11
1	e600354	AG driving motor AUTOCLEAN	●		●	●	●	●	●	●
2	e308065	Capacitor 0,27 microF/ 500VAC	●		●	●	●	●	●	●
3	e505024	Hexagon nut ISO 4032 M 5 V2A D	●		●	●	●	●	●	●
4	e510014	Toothed disk DIN 6797 J 5,3 V2A	●		●	●	●	●	●	
5	e508002	Washer DIN 125 A 5,3 V2A	●		●	●	●	●	●	●
6	753858	Support geared motor Autoclean	●		●	●	●	●	●	●
7	e500211	Threaded pin DIN 553 M4x25 V2A	●		●	●	●	●	●	●
9	e600343	AG shaft/hub Autoclean -to be sent	●		●	●	●	●	●	●
10	e425183	O-ring 23,4 x 3,53 Viton	●		●	●	●	●	●	●
11	e442225	Jet tube Autoclean cooking cha	●		●	●	●	●	●	●
12	e438025	Main nozzle Autoclean cooking cha	●		●	●	●	●	●	●
13	e500268	Threaded pin DIN 913 M 8x8 V2a	●		●	●	●	●	●	●
15	e442227	Water supply pipe Autoclean	●		●	●	●	●	●	●
16	e444058	Steam hose 10x5 EPDM blue	●		●	●	●	●	●	●
17	e422073	Hose clip CrNi D 25	●		●	●	●	●	●	●
18	e505045	Nut 1/4"	●		●	●	●	●	●	●

Pos.	Article no.	Description	Genius Gaz	Multimax A	Multimax B	Genius	Autoclean	6-11	10-11	20-11



611 ab Geräte Nr. 789  
From unit No. 789  
A partir de l'appareil No. 789  
1011 ab Geräte Nr. 641  
From unit No. 641  
A partir de l'appareil No. 641  
2011 ab Geräte Nr. 218  
From unit No. 218  
A partir de l'appareil No. 218

611 bis Geräte Nr. 788  
Upto unit No. 788  
jusqu'à partir de e'appareil No. 788  
1011 bis Geräte Nr. 640  
Part Upto unit No. 640  
jusqu'à partir de e'appareil No. 640  
2011 bis Geräte Nr. 217  
Upto unit No. 217  
jusqu'à partir de e'appareil No. 217





**MA /MB/Genius /Genius Gaz/ 6-11 10-11 20-11**

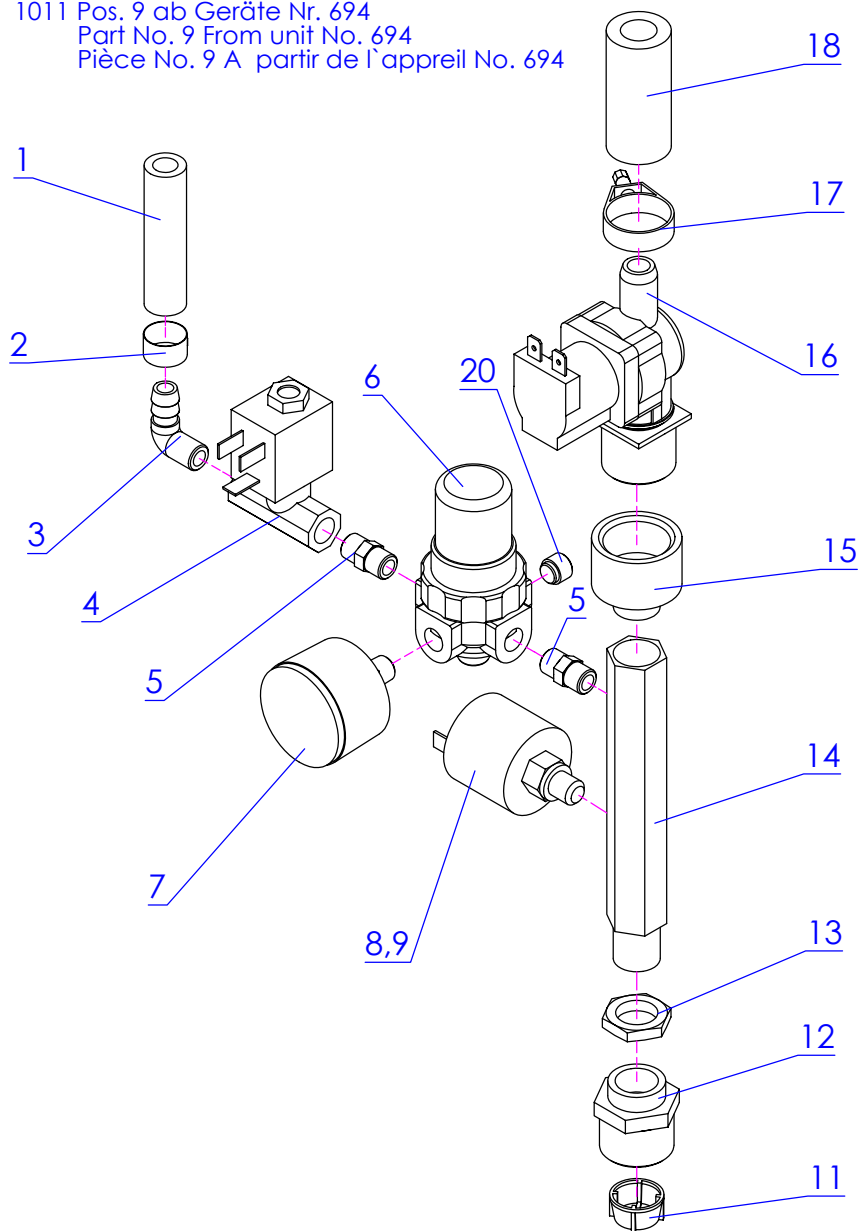
Pos.	Article no.	Description	Genius Gaz	Multimax A	Multimax B	Genius	Autoclean	6-11	10-11	20-11
1	753661	Steam tube 13x5 EPDM blue	•	•	•	•	•	•	•	•
2	e422073	Hose clip CrNi D 25	•	•	•	•	•	•	•	•
3	e440158	Y-shaped tube connecting socket 10	•	•	•	•	•	•	•	•
5	e444058	Steam hose 10x5 EPDM blue	•	•	•	•	•	•	•	•
6	e422020	Hose clip NS 22	•	•	•	•	•	•	•	•
7	e440144	Hose connecting Y-piece for hose d=	•	•	•	•	•	•	•	•
9	e434019	Piston pump Autoclean	•	•	•	•	•	•	•	•
10	e440048	T-piece	•	•	•	•	•	•	•	•
11	e508012	Washer DIN 125 A 4,3 V2A	•	•	•	•	•	•	•	•
12	e440092	double nipple G 1/8	•	•	•	•	•	•	•	•
14	766747	Snap clamp 12,3	•	•	•	•	•	•	•	•
15	e444056	Hose PVC d=6 D=12 with textile fabric	•	•	•	•	•	•	•	•
16	e508002	Washer DIN 125 A 5,3 V2A	•	•	•	•	•	•	•	•
17	e510014	Toothed disk DIN 6797 J 5,3 V2A	•	•	•	•	•	•	•	•
18	e500106	Oval-head screw DIN 7985 N	•	•	•	•	•	•	•	•
19	753904	Supporting angle Autoclean r	•	•	•	•	•	•	•	•
20	748889	Supporting angle piston pump 2011	•	•	•	•	•	•	•	•
21	753890	Y-shaped connecting piece Autoclean	•	•	•	•	•	•	•	•
23	e505031	Hexagonal nut ISO 4032 M4 V2A DI	•	•	•	•	•	•	•	•
24	e510013	Toothed disk DIN 6797 J 4,3 V2A	•	•	•	•	•	•	•	•
25	e483257	Protection against water jets Autoclean	•	•	•	•	•	•	•	•
27	753424	Collecting pan Autoclean	•	•	•	•	•	•	•	•
28	e440147	Sleeve 1/2"	•	•	•	•	•	•	•	•
29	753416	Tube-aerator with reflux prevention	•	•	•	•	•	•	•	•
30	e440146	Hose tip 12 mm 1/2"	•	•	•	•	•	•	•	•
32	e407091	Canister cap DN 50 red d2k	•	•	•	•	•	•	•	•
33	e407092	Canister cap DN 50 blue d2k	•	•	•	•	•	•	•	•
34	e422071	Clamping ring NW 12	•	•	•	•	•	•	•	•
35	700827	Suction filter ED	•	•	•	•	•	•	•	•
36	772550	Piston pump Autoclean straight typ	•	•	•	•	•	•	•	•
37	773719	Angle G 1/8	•	•	•	•	•	•	•	•

Pos.	Article no.	Description	Genius Gaz	Multimax A	Multimax B	Genius	Autoclean	6-11	10-11	20-11

# 6-11,10-11

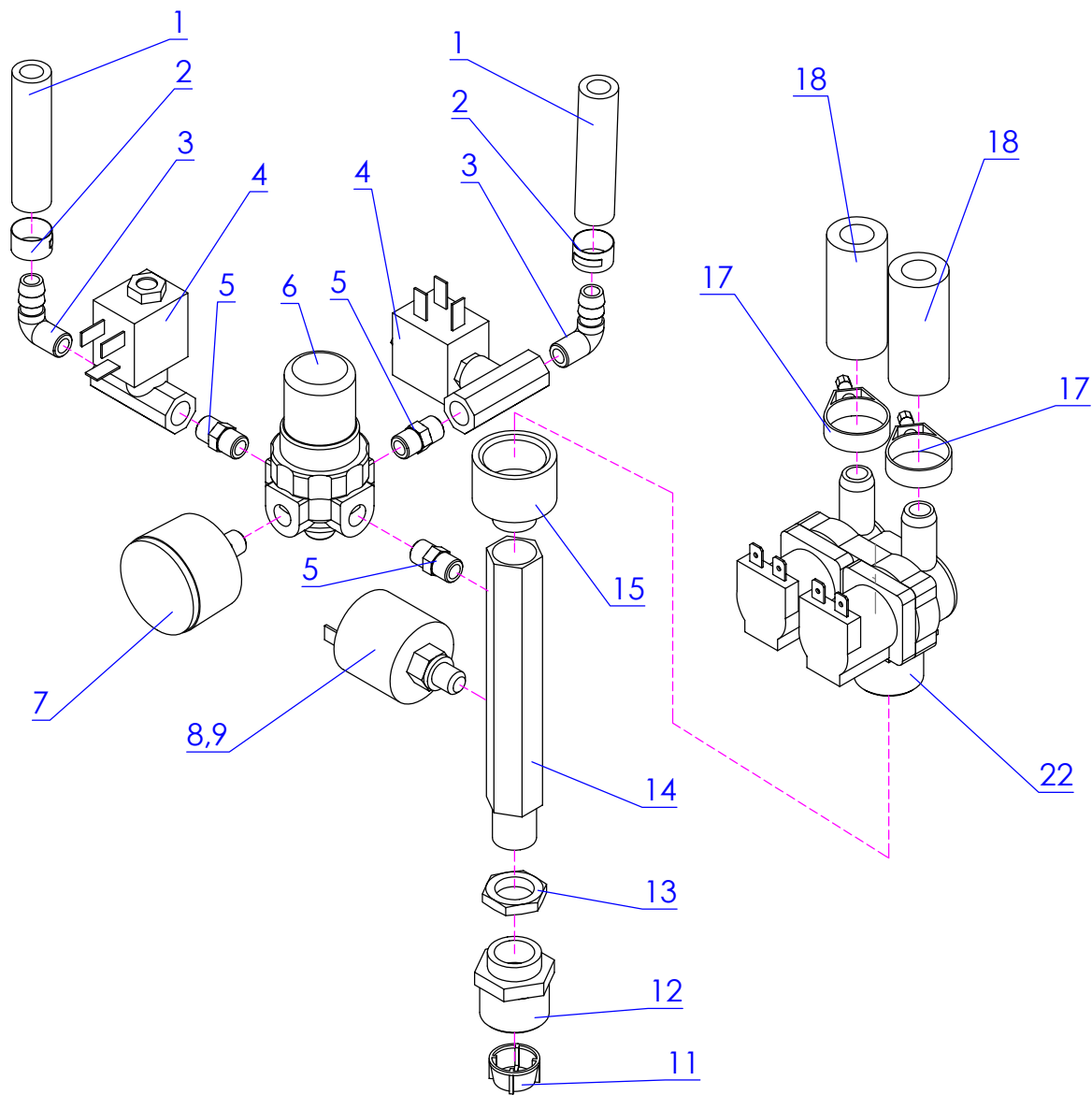
611 Pos. 9 ab Geräte Nr. 855  
 Part No. 9 From unit No. 855  
 Pièce No. 9 A partir de l'appareil No. 855

1011 Pos. 9 ab Geräte Nr. 694  
 Part No. 9 From unit No. 694  
 Pièce No. 9 A partir de l'appareil No. 694



# 20-11

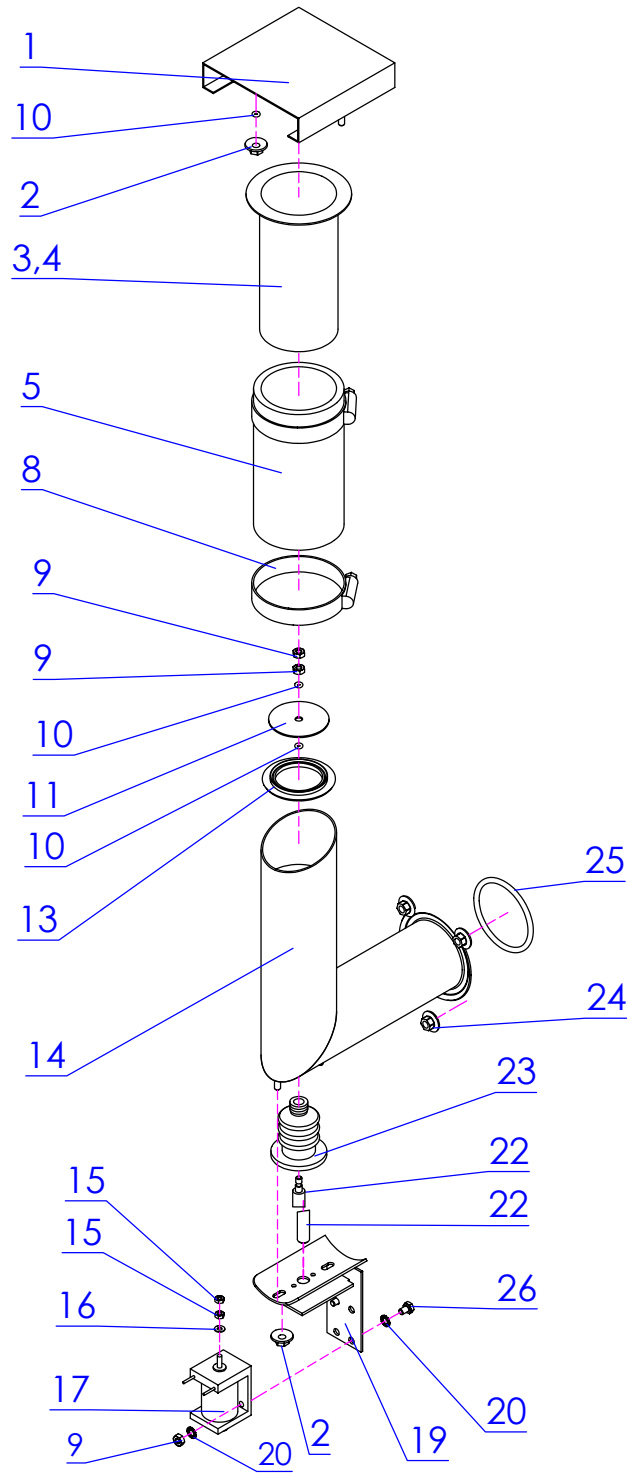
2011 Pos. 9 ab Geräte Nr. 223  
 Part No. 9 From unit No. 223  
 Pièce No. 9 A partir de l'appareil No. 223



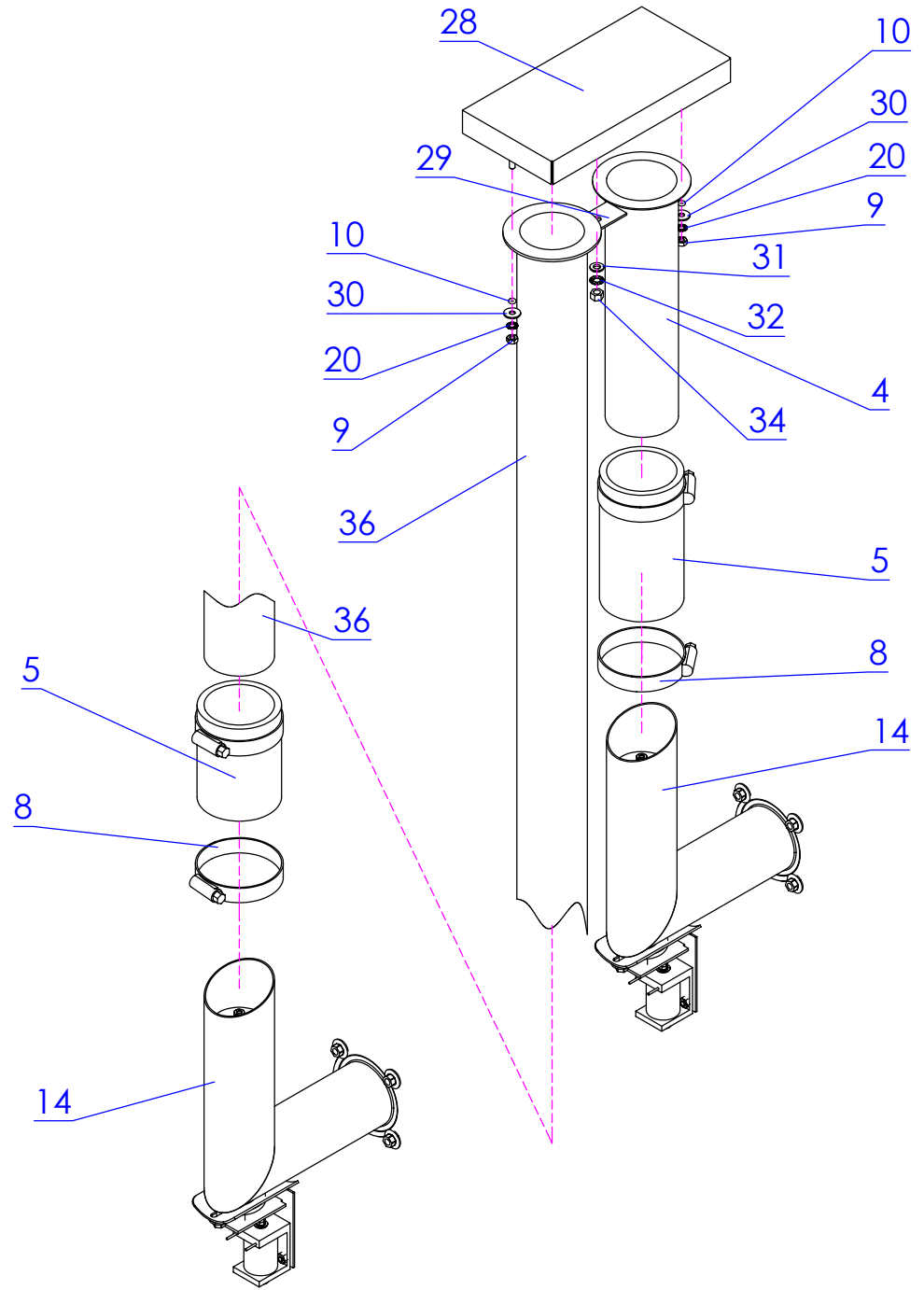
**MA/MB/Genius/Genius Gaz/ 6-11 10-11 20-11**

Pos.	Article no.	Description	Genius Gaz	Multimax A	Multimax B	Genius	Autoclean	6-11	10-11	20-11
1	e444050	Silicon hose 9,0x3,0 mm	●		●	●	●	●	●	●
2	e422017	Hose clip D 14	●		●	●	●	●	●	●
3	e440045	Angle stud 9 mm conn	●		●	●	●	●	●	●
4	e436040	Solenoid-valve type 2000 2/2-way dir	●		●	●	●	●	●	●
5	e440156	Double nipple, conical 1/8K	●		●	●	●	●	●	●
6	e598198	Conversion kit pressure reducer	●		●	●	●	●	●	●
7	e348009	Pressure gauge 0-4,0 bar	●		●	●	●	●	●	●
8	e598189	Conversion kit push button with	●		●	●	●	●	●	●
9	772305	Pressure switch 10 bar AC	●		●	●	●	●	●	●
11	e418017	Mudguard	●		●	●	●	●	●	●
12	e440039	Reduction piece A 3/4" I 3/8"	●		●	●	●	●	●	●
13	e505057	Hexagonal nut 3/8" 4,5 nickele	●		●	●	●	●	●	●
14	779660	Vertial pipe d2k	●		●	●	●	●	●	●
15	e440155	Reducer 3/8 x 3/4 Autoclean	●		●	●	●	●	●	●
16	e436032	Solenoid valve, simple 180 degree	●		●	●	●	●	●	
17	e422073	Hose clip CrNi D 25	●		●	●	●	●	●	●
18	753661	Steam tube 13x5 EPDM blue	●		●	●	●	●	●	●
20	e440101	Locking screw 1/8"	●		●	●	●	●	●	
22	e436033	Solenoid valve, double 180 degree	●		●	●	●			●

6-11 10-11



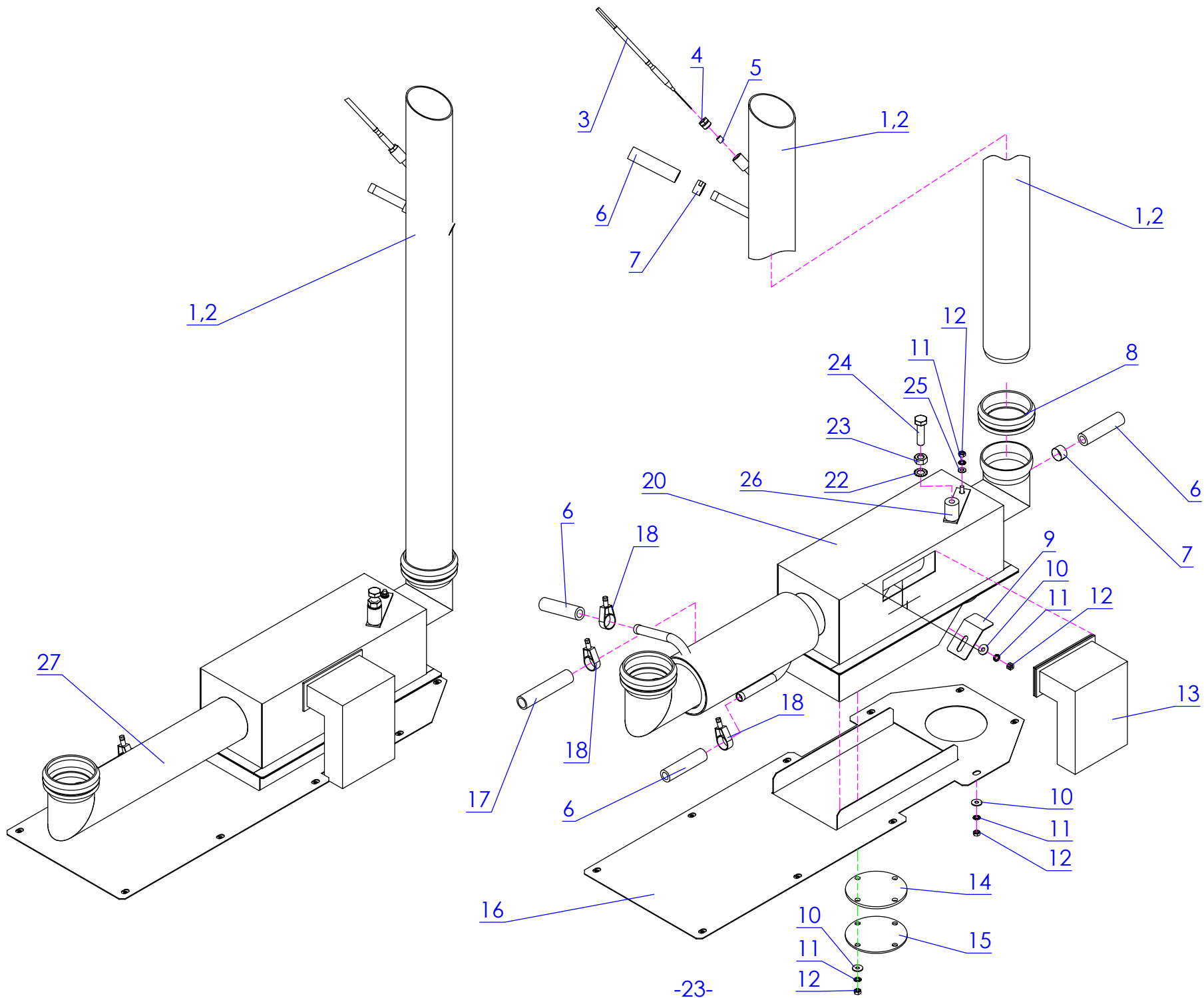
20-11



**MA/MB/Genius/Genius Gaz/ 6-11 10-11 20-11**

Pos.	Article no.	Description	Genius Gaz	Multimax A	Multimax B	Genius	Autoclean	6-11	10-11	20-11
1	e483177	Air intake cap ED	●	●	●	●	●	●	●	
2	e505077	Disk nut M4 A 2	●	●	●	●	●	●	●	●
3	e442186	Air inlet pipe 110 mm	●	●	●	●	●	●		
4	e442187	Air inlet pipe 205 mm	●	●	●	●	●		●	
5	e444042	Silicon hose d=50x5	●	●	●	●	●	●	●	●
8	e422057	Hose clamp 40-60 mm	●	●	●	●	●	●	●	●
9	e505031	Hexagonal nut ISO 4032 M4 V2A DI	●	●	●	●	●	●	●	●
10	e425020	O-ring, 3,68x1,78 VITON	●	●	●	●	●	●	●	●
11	e483163	Flap supply air ED	●	●	●	●	●	●	●	●
13	e425169	Gasket air inlet tube ED	●	●	●	●	●	●	●	●
14	e442181	Air inlet pipe EDB/EDC	●	●	●	●	●	●	●	●
15	e505030	Hexagon nut ISO 4032 M 3 V2A DIN 93	●	●	●	●	●	●	●	●
16	e508005	Washer DIN 125 A 3,2 V2A	●	●	●	●	●	●	●	●
17	e322024	Lifting magnet air flap EB 30, ED,	●	●	●	●	●	●	●	●
19	e483164	Supporting plate compl. supply air t	●	●	●	●	●	●	●	●
20	e510013	Toothed disk DIN 6797 J 4,3 V2A	●	●	●	●	●	●	●	●
22	e403053	Lifting rod air supply ED	●	●	●	●	●	●	●	●
23	e427060	Accordion tube silicon grease resi	●	●	●	●	●	●	●	●
24	e505117	Disk nut M5 V2A	●	●	●	●	●	●	●	●
25	757071	Gasket,supply air cooking chamber 6	●	●	●	●	●	●	●	●
26	e500264	Hexagon cap screw ISO4017 M4x6 V2A	●	●	●	●	●	●	●	●
28	751987	Double cap supply air d2k	●	●	●	●	●			●
28	751987	Cap door lock 12/20-21 d2k	●	●	●	●	●			●
29	757217	Holding plate air inlet 20-11 20-2	●	●	●	●	●			●
30	e508031	Washer DIN 9021 A 4,3 V2A	●	●	●	●	●	●	●	●
31	e508002	Washer DIN 125 A 5,3 V2A	●	●	●	●	●	●	●	●
32	e510014	Toothed disk DIN 6797 J 5,3 V2A	●	●	●	●	●	●	●	●
34	e505024	Hexagon nut ISO 4032 M 5 V2A DI	●	●	●	●	●	●	●	●
36	756946	Connecting tube air inlet Ed 20-11/2	●	●	●	●	●			●

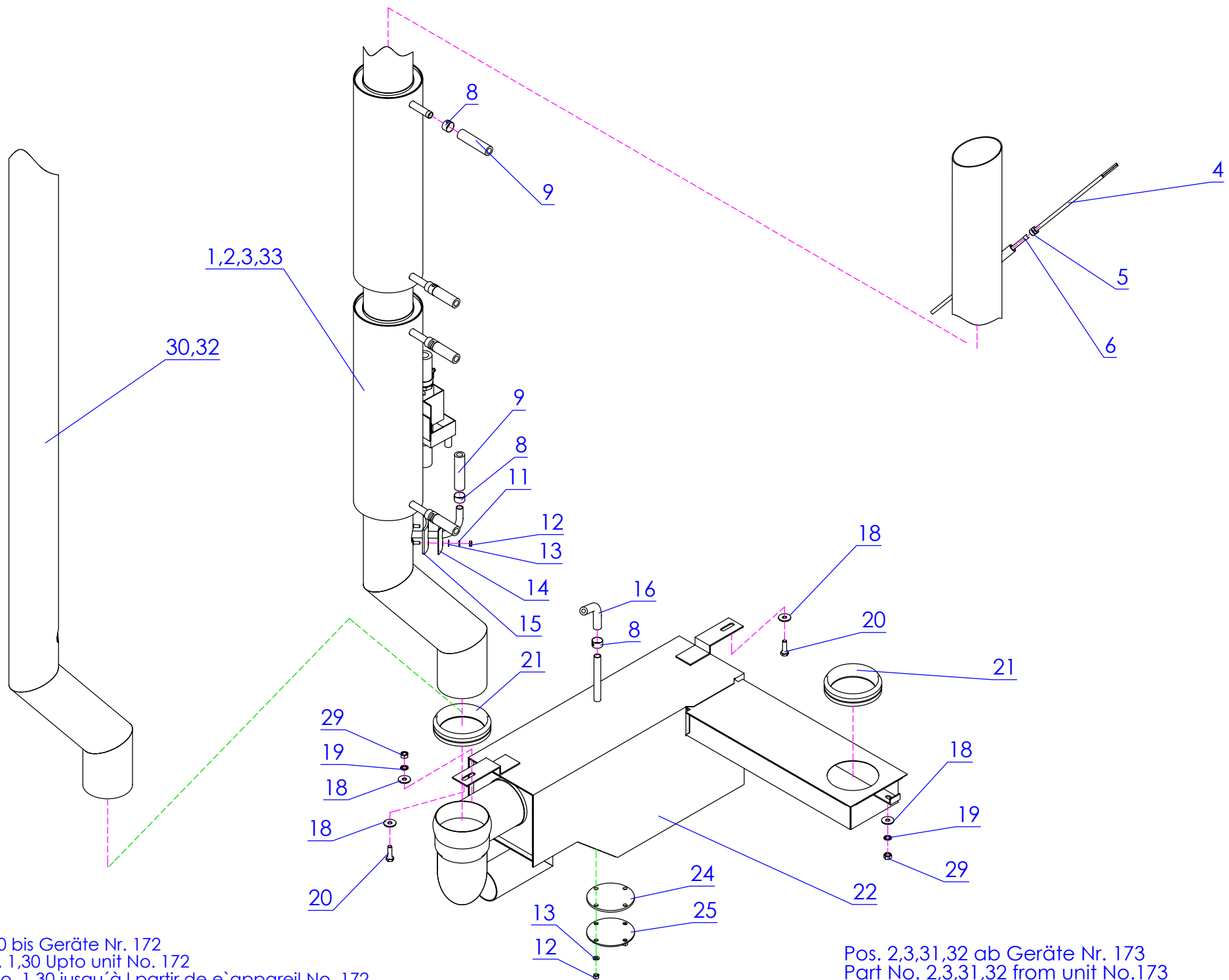
Pos.	Article no.	Description	Genius Gaz	Multimax A	Multimax B	Genius	Autoclean	6-11	10-11	20-11



**MA/MB/Genius/Genius Gaz/ 6-11 10-11 20-11**

Pos.	Article no.	Description	Genius Gaz	Multimax A	Multimax B	Genius	Autoclean	6-11	10-11	20-11
1	772631	Air discharge pipe with spiral inser	●	●	●	●	●	●		
2	772658	Exhaust air tube with insert 10-11	●	●	●	●	●		●	
3	e316004	Thermoelement sensor Ni-Cr-Ni MI	●	●	●	●	●	●	●	
4	759864	Screw M 10x1 d=6,1 thermostat	●	●	●	●	●	●	●	
5	e425109	Gasket - thermostat probe	●	●	●	●	●	●	●	
6	e444050	Silicon hose 9,0x3,0 mm	●	●	●	●	●	●	●	
7	e422017	Hose clip D 14	●	●	●	●	●	●	●	
8	e425011	Silicone gasket DN 50	●	●	●	●	●	●	●	
9	742848	Locking angle siphon 6/10-11 d2k	●	●	●	●	●	●	●	
10	e508031	Washer DIN 9021 A 4,3 V2A	●	●	●	●	●	●	●	
11	e510013	Toothed disk DIN 6797 J 4,3 V2A	●	●	●	●	●	●	●	
12	e505031	Hexagonal nut ISO 4032 M4 V2A DI	●	●	●	●	●	●	●	
13	740896	Silicon seal 6/10-11 d2k overflow sip	●	●	●	●	●	●	●	
14	740853	Gasket siphon 6/10-11 d2k	●	●	●	●	●	●	●	
15	740861	Sealing flange 6/10-11 d2k	●	●	●	●	●	●	●	
16	745510	Mounting plate Siphon 61011 d2k	●	●	●	●	●	●	●	
17	e444030	Silicon hose d12 D16	●	●	●	●	●	●	●	
18	e422018	Hose clip D 19	●	●	●	●	●	●	●	
20	740454	Siphon 6/10-11 d2k	●		●	●	●	●	●	
22	e510016	Toothed disk DIN 6797 J 8,4 V2A	●	●	●	●	●	●	●	
23	e505033	Hexagonal nut ISO 4032 M8 V2A DI	●	●	●	●	●	●	●	
24	e500278	Hexagon cap screw M8x30 ISO 4017	●	●	●	●	●	●	●	
25	e508012	Washer DIN 125 A 4,3 V2A	●	●	●	●	●	●	●	
26	740632	Support cooking chamber 61011	●		●	●	●	●	●	
27	748625	Siphon MA 6/10-11 d2k without hea		●			●	●	●	
####	763055	Harness ground exhaust air pipe d2k	●		●	●	●	●	●	

Pos.	Article no.	Description	Genius Gaz	Multimax A	Multimax B	Genius	Autoclean	6-11	10-11	20-11



Pos. 1,30 bis Geräte Nr. 172  
 Part No. 1,30 Upto unit No. 172  
 Pièce No. 1,30 jusqu'à l partir de e`appareil No. 172

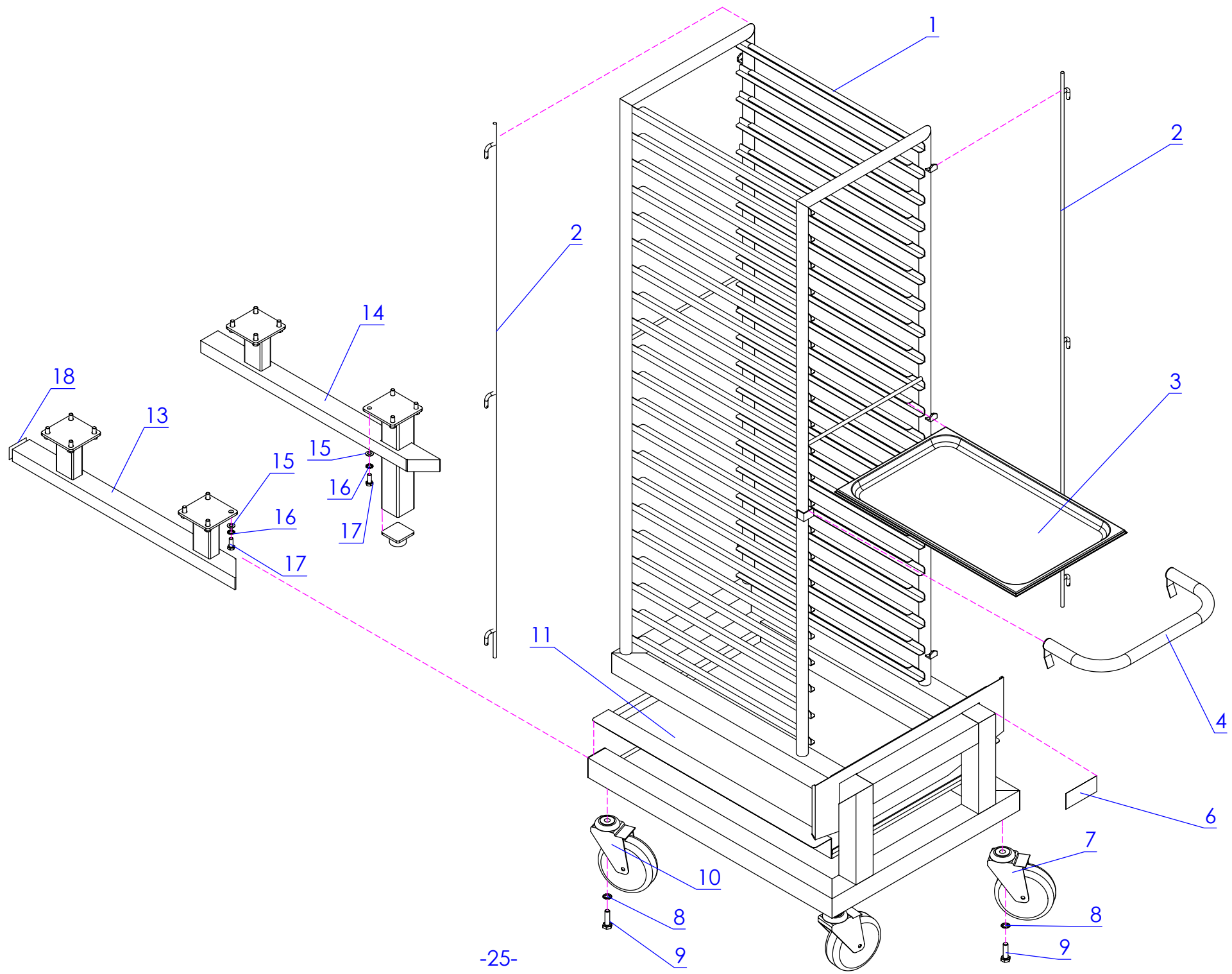
Pos. 2,3,31,32 ab Geräte Nr. 173  
 Part No. 2,3,31,32 from unit No.173  
 Pièce No. 2,3,31,32 à partir de l`appareil No. 173



# MA/MB/Genius/Genius Gaz/ 6-11 10-11 20-11

Pos.	Article no.	Description	Genius Gaz	Multimax A	Multimax B	Genius	Autoclean	6-11	10-11	20-11
1	745979	Heat exchanger 2021 d2k			●	●	●			●
2	771260	Heat exchanger complete 2011 2021	●				●			●
3	746010	Heat exchanger assembled 2021 d2k			●	●	●			●
4	e316004	Thermoelement sensor Ni-Cr-Ni M	●		●	●	●			●
5	759864	Screw M 10x1 d=6,1 thermostat	●		●	●	●			●
6	e425109	Gasket - thermostat probe	●		●	●	●			●
8	e422063	Clamping ring s/s for hose D 9 x	●	●	●	●	●			●
9	e444050	Silicon hose 9,0x3,0 mm	●	●	●	●	●			●
11	e510013	Toothed disk DIN 6797 J 4,3 V2A	●	●	●	●	●			●
12	e505031	Hexagonal nut ISO 4032 M4 V2A DI	●	●	●	●	●			●
13	e508012	Washer DIN 125 A 4,3 V2A	●	●	●	●	●			●
14	e442297	Water supply tube heat exchanger	●	●	●	●	●			●
15	e425221	Gasket water supply tube heat excha	●	●	●	●	●			●
16	e444050	Silicon hose 9,0x3,0 mm	●	●	●	●	●			●
18	e508033	Washer DIN 9021 A 6,4 V2A	●	●	●	●	●			●
19	e510015	Toothed disk DIN 6797 J 6,4 V2A	●	●	●	●	●			●
20	e500054	Hexagon cap screw ISO4017 M6 x 20 V2	●	●	●	●	●			●
21	e425135	Sealing element silicon D=73	●	●	●	●	●			●
22	745782	Siphon 20-11 d2k	●	●	●	●	●			●
24	740853	Gasket siphon 6/10-11 d2k	●	●	●	●	●			●
25	740861	Sealing flange 6/10-11 d2k	●	●	●	●	●			
29	e505032	Hexagonal nut ISO 4032 M6 V2A DI	●	●	●	●	●			●
30	771759	Air discharge pipe 20-11 d2k		●			●			●
32	771740	Air discharge pipe assembled		●			●			●
33	771252	Heat exchanger assembled 2011 2021	●				●			●
####	763055	Harness ground exhaust air pipe d2k	●	●	●	●	●			●

Pos.	Article no.	Description	Genius Gaz	Multimax A	Multimax B	Genius	Autoclean	6-11	10-11	20-11



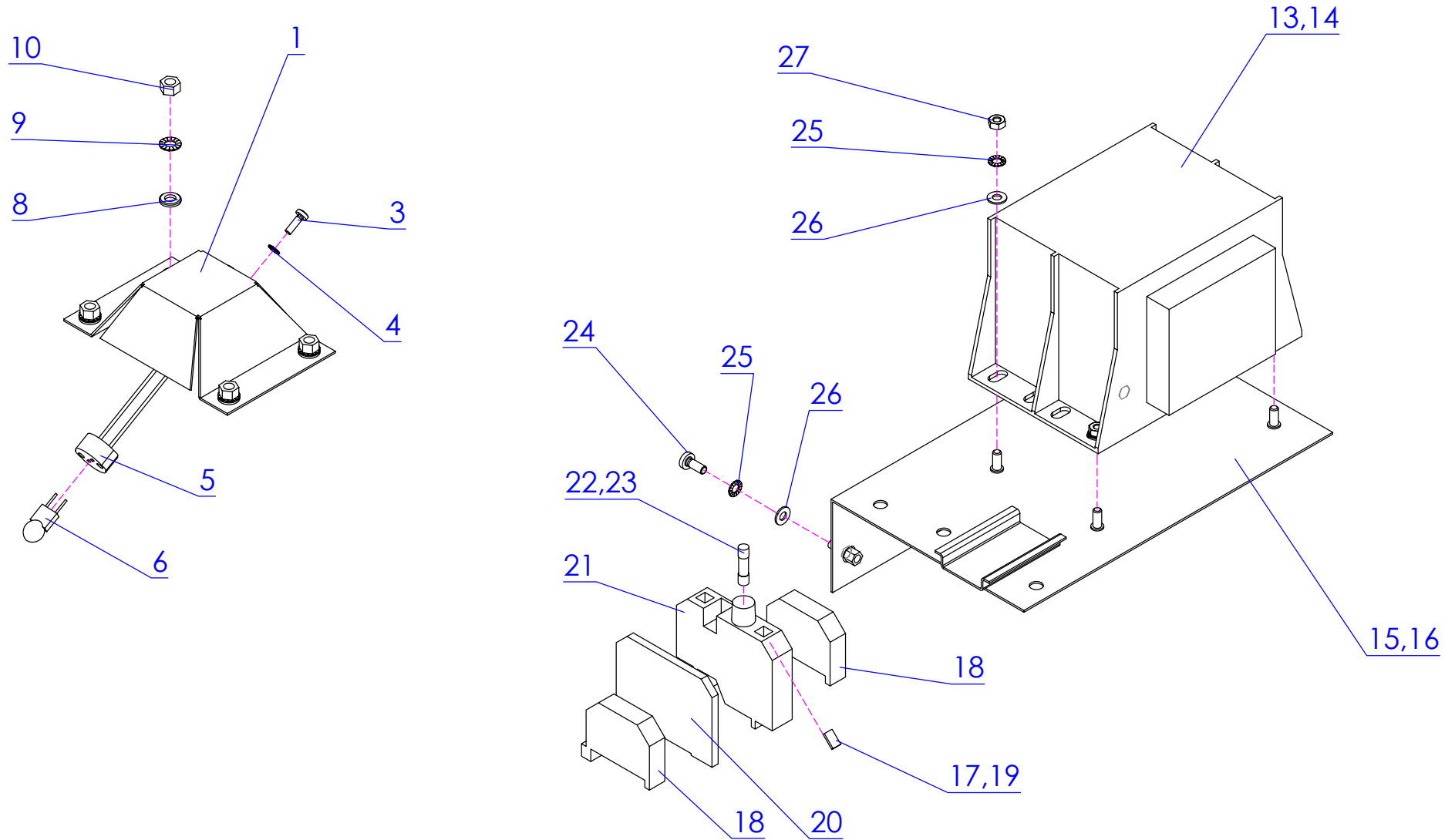


Achtung! Aufbauänderung siehe Seite 15  
Attention! Modified construction see page 15  
Attention! Construction modifié voir page 15

611 ab Geräte Nr. 228  
From unit No. 228  
A partir de l'appareil No. 228

1011 ab Geräte Nr. 189  
From unit No. 189  
A partir de l'appareil No. 189

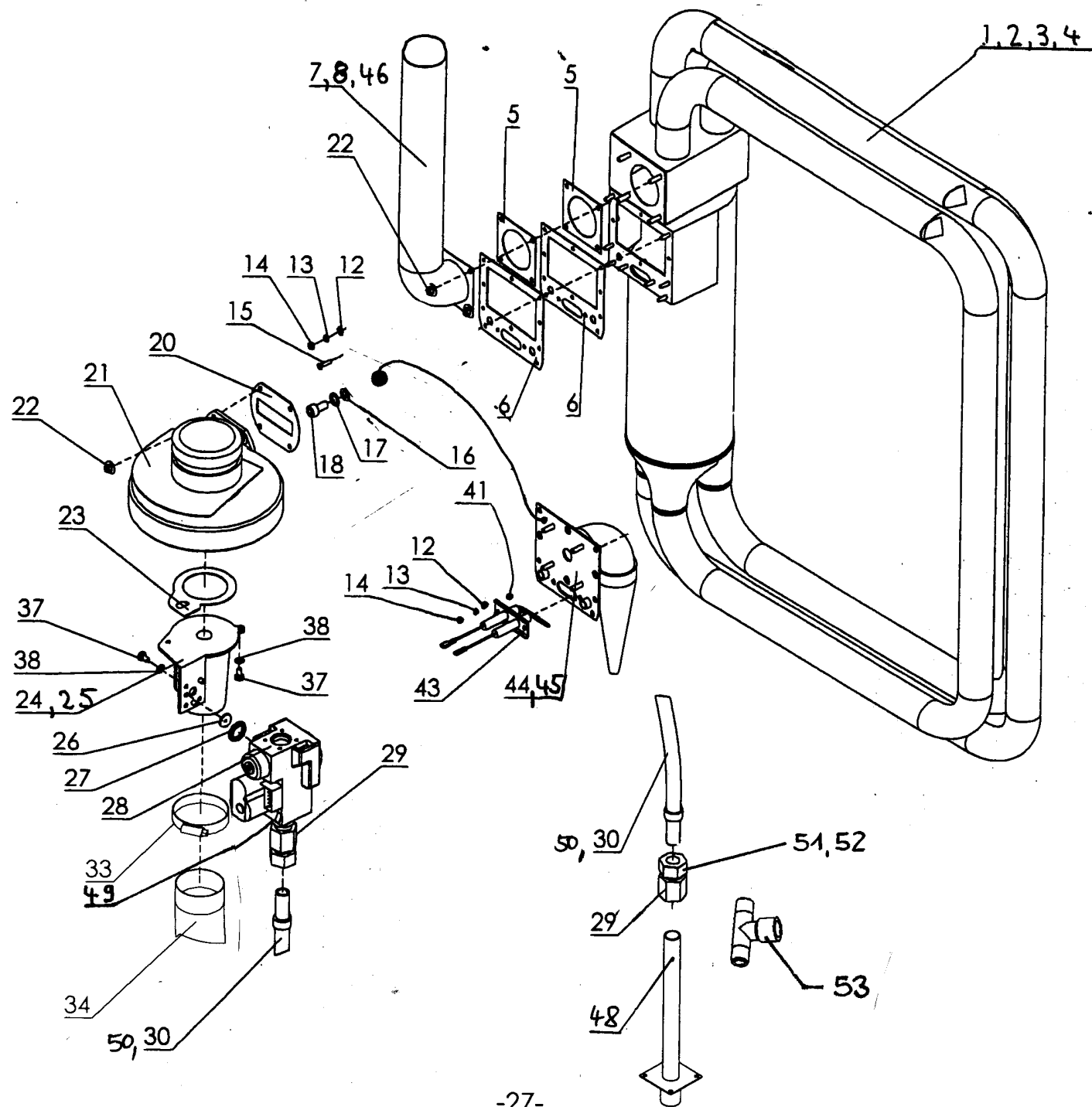
2011 ab Geräte Nr. 110  
From unit No. 110  
A partir de l'appareil No. 110



**MA/MB/Genius/Genius Gaz/ 6-11 10-11 20-11**

Pos.	Article no.	Description	Genius Gaz	Multimax A	Multimax B	Genius	Autoclean	6-11	10-11	20-11
1	742236	Reflector d2k illumination	●	●	●	●	●	●	●	●
3	e500095	Oval-head screw DIN 7985 M 3x10 V2A	●	●	●	●	●	●	●	●
4	e510020	Toothed disk DIN 6797 J 3,2 V2A	●	●	●	●	●	●	●	●
5	e314029	Halogen lamp-holder witch socket	●	●	●	●	●	●	●	●
6	e312021	Halogen lamp 12V 20W	●	●	●	●	●	●	●	●
8	e508002	Washer DIN 125 A 5,3 V2A	●	●	●	●	●	●	●	●
9	e510014	Toothed disk DIN 6797 J 5,3 V2A	●	●	●	●	●	●	●	●
10	e505029	Hexagon nut ISO 4032 M 5 brass	●	●	●	●	●	●	●	●
13	e310021	Transformer 230/11,5V 44 VA	●	●	●	●	●	●	●	●
14	e310024	Transformer EB/ED 20-21	●	●	●	●	●	●	●	●
15	765104	Mounting plate trafo light 61011	●	●	●	●	●	●	●	●
16	765112	Mounting plate trafo light 2011/2	●	●	●	●	●	●	●	●
17	e375002	Fine fuse 10 A slow 5 x 20 mm	●	●	●	●	●	●	●	●
18	e371010	End clamp for rail 35 DIN	●	●	●	●	●	●	●	●
19	e362162	Designation strip "4 A"	●	●	●	●	●	●	●	●
20	e371009	End plate fuse clamp	●	●	●	●	●	●	●	●
21	e373009	Fuse clamp 35 DIN	●	●	●	●	●	●	●	●
22	e375009	Fine fuse 4 AT	●	●	●	●	●	●	●	●
23	e362068	Designation strip "10 A"	●	●	●	●	●	●	●	●
24	e500098	Oval-head screw DIN 7985 M 4x10 V2A	●	●	●	●	●	●	●	●
25	e510013	Toothed disk DIN 6797 J 4,3 V2A	●	●	●	●	●	●	●	●
26	e508012	Washer DIN 125 A 4,3 V2A	●	●	●	●	●	●	●	●
27	e505031	Hexagonal nut ISO 4032 M4 V2A DI	●	●	●	●	●	●	●	●
####	e304370	Harness modification light 61011	●	●	●	●	●	●	●	●
####	e304371	Harness modification light 2011/2	●	●	●	●	●	●	●	●

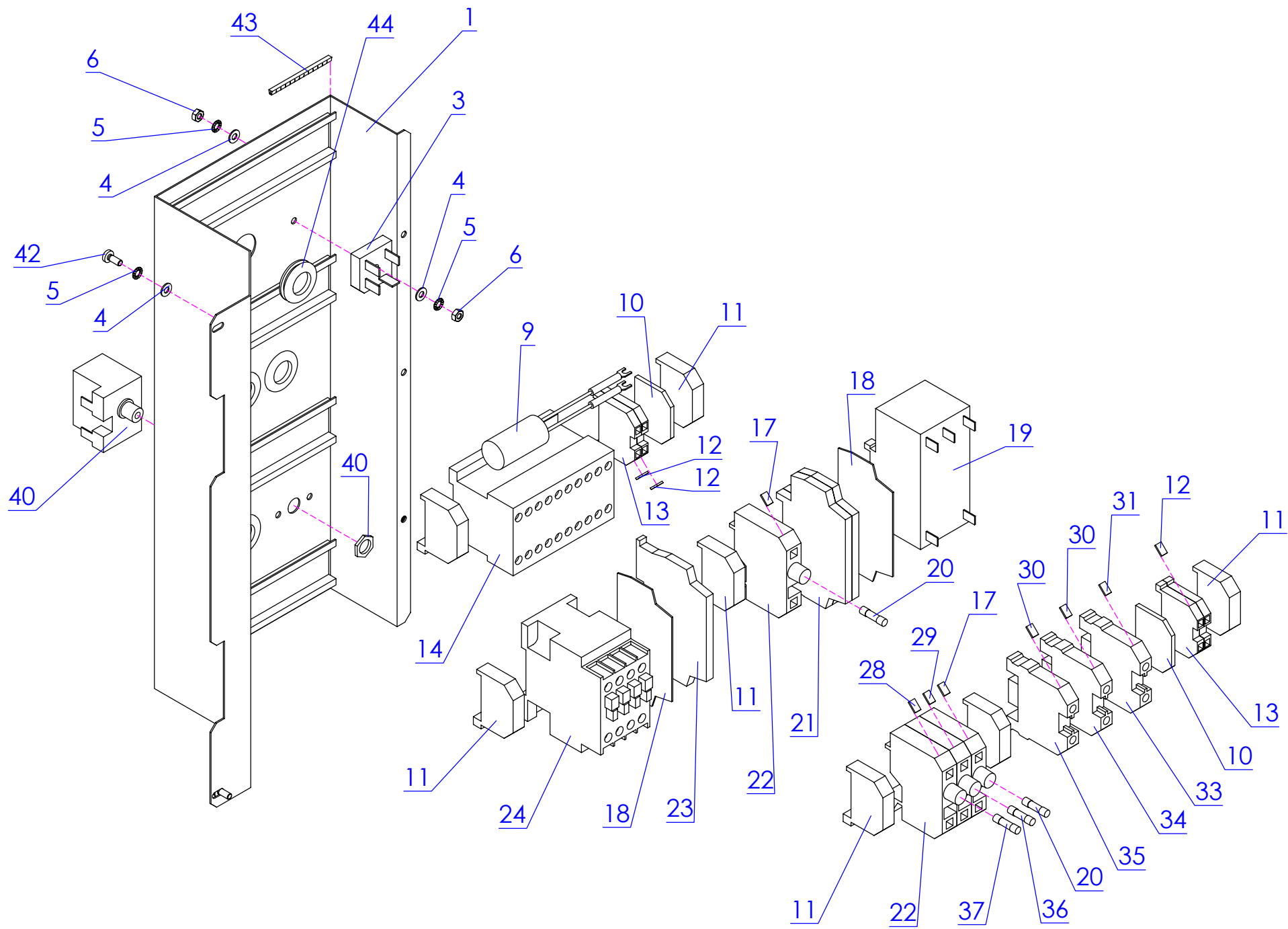
Pos.	Article no.	Description	Genius Gaz	Multimax A	Multimax B	Genius	Autoclean	6-11	10-11	20-11



## MA/MB/Genius/Genius Gaz/ 6-11 10-11 20-11

Pos.	Article no.	Description	Genius Gaz	Multimax A	Multimax B	Genius	Autoclean	6-11	10-11	20-11
1	744042	Heat exchanger gas right	1011 2011	●			●		●	●
2	762733	Heat exchanger gas right	611 d2k	●			●	●		
3	742597	Heat exchanger gas, left	6-11 d2k	●			●	●		
4	765767	Heat exchanger gas left	1011 2011	●			●		●	●
5	742678	Gasket/exhaust gas flange	6/10/20-11	●			●	●	●	●
6	742651	Gasket/burner unit	6/10/20-11	●			●	●	●	●
7	744026	Exhaust gas pipe 1011 d2k		●			●		●	●
8	742694	Exhaust gas pipe 6-11 d2k		●			●	●		
12	e508012	Washer DIN 125 A 4,3	V2A	●			●	●	●	●
13	e510013	Toothed disk DIN 6797	J 4,3 V2A	●			●	●	●	●
14	e505031	Hexagonal nut ISO 4032	M4 V2A DI	●			●	●	●	●
15	e500130	Countersunk screw DIN 965	M4 x 16 V2	●			●	●	●	●
16	e427038	Copper gasket		●			●	●	●	●
17	e510016	Toothed disk DIN 6797	J 8,4 V2A	●			●	●	●	●
18	e500263	Cheese head screw DIN 912	M8x15 VA	●			●	●	●	●
20	742716	Gasket/fan gas d2k		●			●	●	●	●
21	742686	Radial fan gas d2k		●			●	●	●	●
22	e505117	Disk nut M5 V2A		●			●	●	●	●
23	744085	Gasket Venturi d2k		●			●	●	●	●
24	743925	Venturi 611 d2k		●			●	●		
25	743933	Venturi 1011 2011 d2k		●			●		●	●
26	743984	Nozzle liquid gas Venturi	1011 2011	●			●	●	●	●
27	743941	Set of gaskets d2k	gas regulat	●			●	●	●	●
28	744050	Gas regulating valve d2k		●			●	●	●	●
29	e440170	Partition screwing gas	d2k	●			●	●	●	●
30	e444062	Hose d2k gas		●			●	●	●	●
33	e422057	Hose clamp 40-60 mm		●			●	●	●	●
34	e444065	Air hose DN 51	polyurethar	●			●	●	●	●
37	e500105	Oval-head screw	DIN 7985 N	●			●	●	●	●
38	e510014	Toothed disk DIN 6797	J 5,3 V2A	●			●	●	●	●
41	742724	Gasket/electrode block	d2k	●			●	●	●	●
43	768979	Electrode block 61011	d2k burner	●			●	●	●	●
44	770973	Burner, conical 611 d2k		●			●	●		
45	770981	Burner, conical 10-2011	d2k	●			●		●	●
46	771619	Exhaust gas pipe compl.	bottom 201	●			●			●
48	771694	Vertical pipe compl. gas	d2k	●			●			
49	770914	Flange straight 1/2"		●			●			
50	774367	Hose d2k gas		●			●	●	●	●

Pos.	Article no.	Description	Genius Gaz	Multimax A	Multimax B	Genius	Autoclean	6-11	10-11	20-11
51	773832	Function nut VA RD 15	●				●	●	●	●
52	773840	Function nut VA RD 22	●				●	●	●	●
53	773867	T-reducer D22-D15-D15	●				●	●	●	●
		without nut	●				●	●	●	●

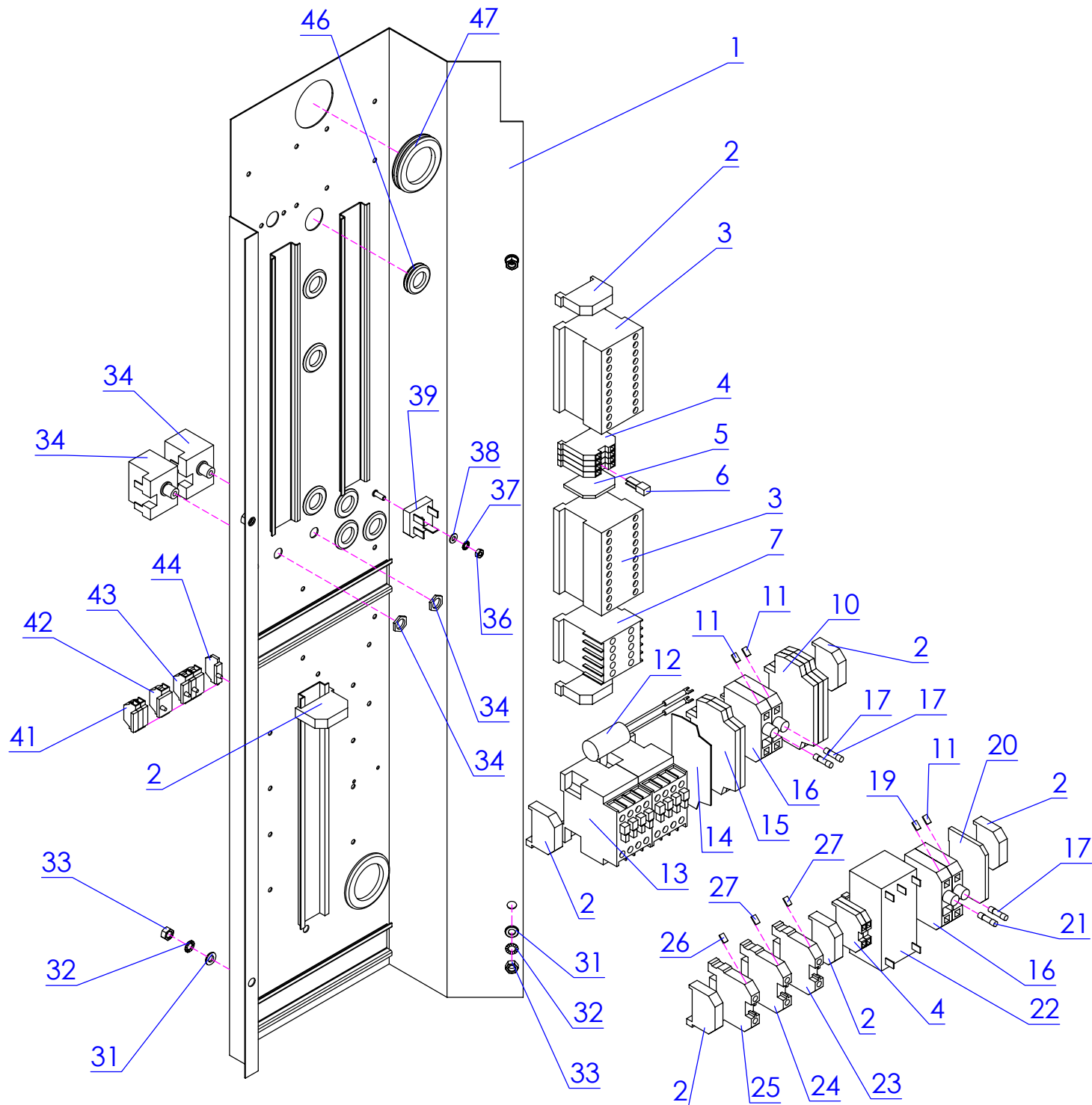




**MA/MB/Genius/Genius Gaz/ 6-11 10-11 20-11**

Pos.	Article no.	Description	Genius Gaz	Multimax A	Multimax B	Genius	Autoclean	6-11	10-11	20-11
1	744514	Electric mounting plate 6/10-11 hin	●			●	●	●	●	
3	e308056	Bridge rectifier	●			●	●	●	●	
4	e508012	Washer DIN 125 A 4,3 V2A	●			●	●	●	●	
5	e510013	Toothed disk DIN 6797 J 4,3 V2A	●			●	●	●	●	
6	e505031	Hexagonal nut ISO 4032 M4 V2A DI	●			●	●	●	●	
9	e308077	Anti-interference capa- citor RC 0,2	●			●	●	●	●	
10	e371025	End plate for universal clamp 4qm	●			●	●	●	●	
11	e371010	End clamp for rail 35 DIN	●			●	●	●	●	
12	e362070	Designation strip "" = connection	●			●	●	●	●	
13	e371022	Universal clamp grey 4qmm	●			●	●	●	●	
14	e324023	Turning contactor 230 V 50/6	●			●	●	●	●	
17	e362068	Designation strip "10 A"	●			●	●	●	●	
18	752452	Intermediate end plate d2k	●			●	●	●	●	
19	742767	Interference filter d2k voltage sup	●			●	●	●	●	
20	e375002	Fine fuse 10 A slow 5 x 20 mm	●			●	●	●	●	
21	742813	Auxiliary relay 230 V	●			●	●	●	●	
22	e373009	Fuse clamp 35 DIN	●			●	●	●	●	
23	764116	Auxiliary relay 12 v	●			●	●	●	●	
24	e324001	Contacto A9/30-10 230 V 50-6	●			●	●	●	●	
28	e362162	Designation strip "4 A"	●			●	●	●	●	
29	e362067	Designation strip "2A"	●			●	●	●	●	
30	e362044	Designation strip "L1-PE"	●			●	●	●	●	
31	e362045	Designation strip "L1-PE"	●			●	●	●	●	
33	e371063	Protective conductor clamp 10 q	●			●	●	●	●	
34	e371064	Transit clamp grey, 10qmm 10 qmm	●			●	●	●	●	
35	e371069	Neutral conductor clamp blue 10qmm	●			●	●	●	●	
36	e375007	Fine fuse 2 A slow 5 x 20 mm	●			●	●	●	●	
37	e375009	Fine fuse 4 AT	●			●	●	●	●	
40	e336029	Safety thermal release 1-pole 360	●			●	●	●	●	
42	e500098	Oval-head screw DIN 7985 M 4x10 V2	●			●	●	●	●	
43	e427072	Edge protection 0,5 m d2k	●			●	●	●	●	
44	e306019	Rubber socket black PG 16	●			●	●	●	●	
####	e304357	Harness control 6/10-11 gas d2k	●			●	●	●	●	

Pos.	Article no.	Description	Genius Gaz	Multimax A	Multimax B	Genius	Autoclean	6-11	10-11	20-11



**MA/MB/Genius/Genius Gaz/ 6-11 10-11 20-11**

Pos.	Article no.	Description	Genius Gaz	Multimax A	Multimax B	Genius	Autoclean	6-11	10-11	20-11
1	751901	Electric mounting plate	20-11 d2k	●			●			●
2	e371010	End clamp for rail 35 DIN		●			●			●
3	e324023	Turning contactor	230 V 50/6	●			●			●
4	e371022	Universal clamp grey 4qmm		●			●			●
5	e371025	End plate for universal	clamp 4qm	●			●			●
6	e371014	Cross bridge 4qmm 281		●			●			●
7	752177	Auxiliary contactor 4 S		●			●			●
10	742813	Auxiliary relay 230 V		●			●			●
11	e362068	Designation strip "10 A"		●			●			●
12	e308077	Anti-interference capa-	citor RC 0,2	●			●			●
13	e324001	Contacto A9/30-10	230 V 50-6	●			●			●
14	752452	Intermediate end plate	d2k	●			●			●
15	764116	Auxiliary relay 12 v		●			●			●
16	e373009	Fuse clamp 35 DIN		●			●			●
17	e373002	clamp rail		●			●			●
19	e362067	Designation strip "2A"		●			●			●
20	e371009	End plate fuse clamp		●			●			●
21	e375007	Fine fuse 2 A slow	5 x 20 mm	●			●			●
22	742767	Interference filter d2k	voltage sup	●			●			●
23	e371069	Neutral conductor clamp	blue 10qmr	●			●			●
24	e371064	Transit clamp grey, 10qmm	10 qmm	●			●			●
25	e371063	Protective conductor	clamp 10 q	●			●			●
26	e362045	Designation strip "L1-PE"		●			●			●
27	e362044	Designation strip "L1-PE"		●			●			●
31	e508013	Washer DIN 125 A 6,4	V2A	●			●			●
32	e510015	Toothed disk DIN 6797	J 6,4 V2A	●			●			●
33	e505032	Hexagonal nut ISO 4032	M6 V2A DI	●			●			●
34	e336029	Safety thermal release	1-pole 360	●			●			●
36	e505031	Hexagonal nut ISO 4032	M4 V2A DI	●			●			●
37	e510013	Toothed disk DIN 6797	J 4,3 V2A	●			●			●
38	e508012	Washer DIN 125 A 4,3	V2A	●			●			●
39	e308056	Bridge rectifier		●			●			●
41	e371041	Clamp grey 2 conductors	with flange	●			●			●
42	e371036	Clamp blue 4 conductors	blue	●			●			●
43	e371037	Clamp grey 4 conductors		●			●			●
44	e371039	End plate		●			●			●
46	e306019	Rubber socket black PG 16		●			●			●
47	e306025	Spout DG 36		●			●			●

Pos.	Article no.	Description	Genius Gaz	Multimax A	Multimax B	Genius	Autoclean	6-11	10-11	20-11